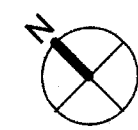
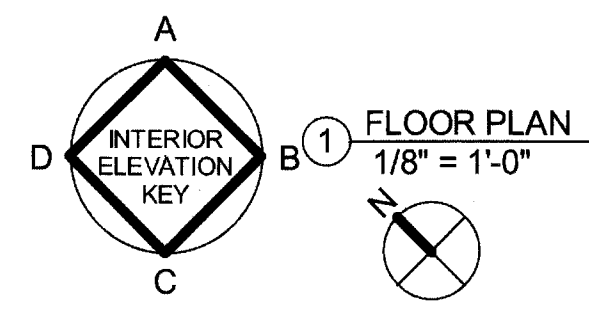
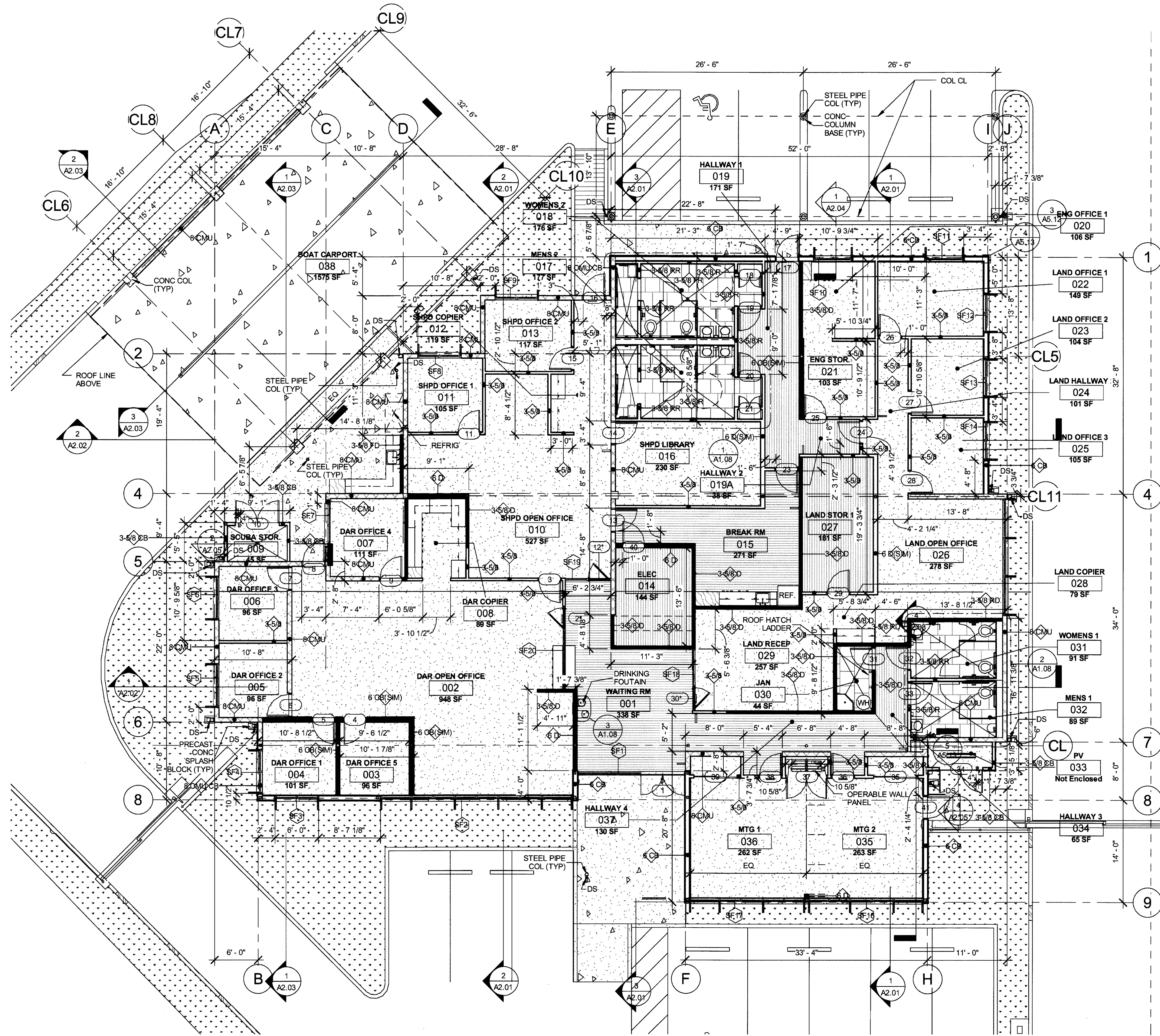


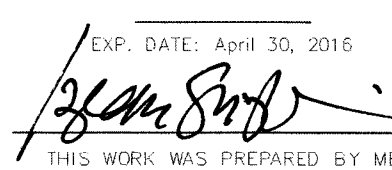
① SITE PLAN
3/64" = 1'-0"



REVISION NO.	SYM.	DESCRIPTION	SHT./OF	DATE	APPROVED
STATE OF HAWAII DEPARTMENT OF LAND AND NATURAL RESOURCES ENGINEERING DIVISION					
MAUI OFFICE ANNEX WAILUKU, MAUI, HAWAII					
SITE PLAN					
DESIGNED:		SUBMITTED:	ac		
DRAWN:		DATE:	03/15/16		
CHECKED:		SCALE:			
APPROVED:		DATE:	MAR 23 2016		DRAWING NO. A1.00
THIS WORK WAS PREPARED BY ME OR UNDER MY SUPERVISION AND CONSTRUCTION OF THIS PROJECT WILL BE UNDER MY OBSERVATION.					

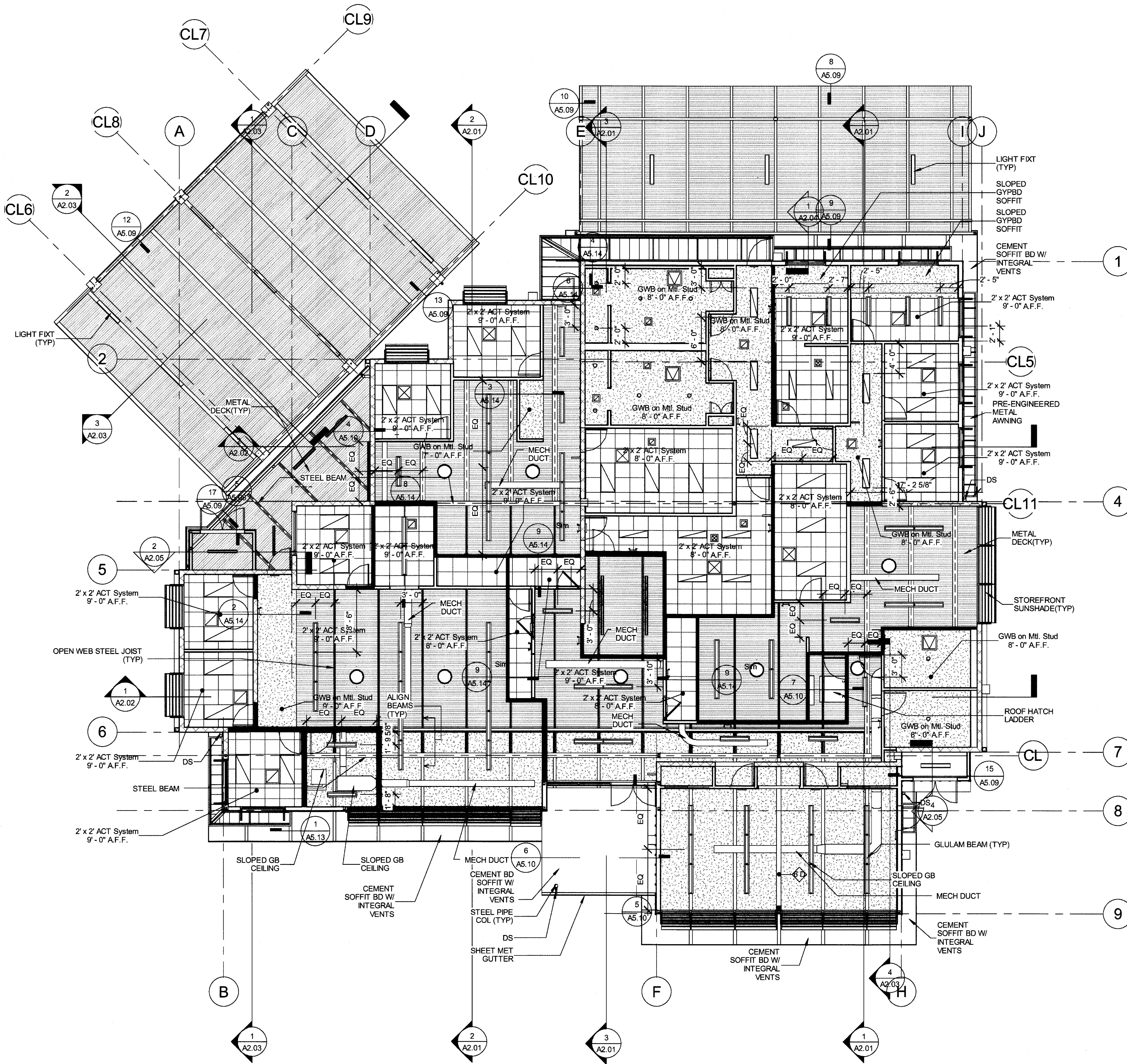


FLOOR PLAN
1/8" = 1'-0"

REVISION NO.	SYM.	DESCRIPTION	SHT./OF	DATE	APPROVED
STATE OF HAWAII DEPARTMENT OF LAND AND NATURAL RESOURCES ENGINEERING DIVISION					
MAUI OFFICE ANNEX WAILUKU, MAUI, HAWAII					
FLOOR PLAN					
DESIGNED:		SUBMITTED:	ac		
DRAWN:		DATE:	03/15/16		
CHECKED:		SCALE:			
APPROVED:		 CHIEF ENGINEER		DRAWING NO. A1.01	DATE MAR 23 2016



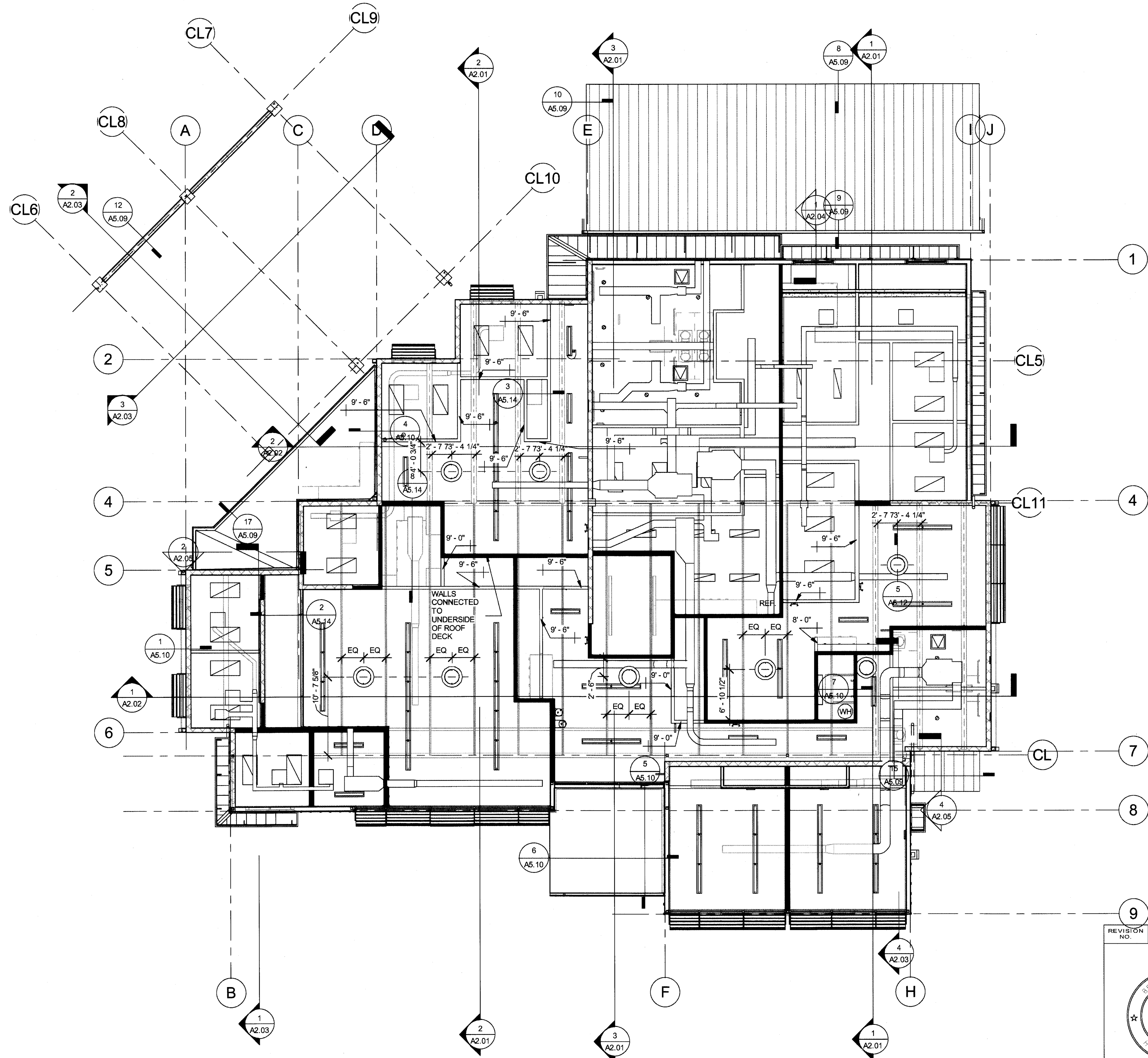
EXP. DATE: April 30, 2016
 THIS WORK WAS PREPARED BY ME OR UNDER MY SUPERVISION AND CONSTRUCTION OF THIS PROJECT WILL BE UNDER MY OBSERVATION.



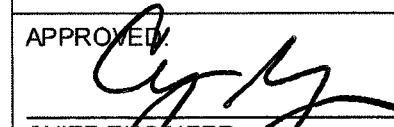
1 REFLECTED CEILING PLAN
1/8" = 1'-0"

REVISION NO.	SYM.	DESCRIPTION	SHT./OF	DATE	APPROVED
STATE OF HAWAII DEPARTMENT OF LAND AND NATURAL RESOURCES ENGINEERING DIVISION					
MAUI OFFICE ANNEX WAILUKU, MAUI, HAWAII					
REFLECTED CEILING PLAN					
DESIGNED:			SUBMITTED:	G. W. [Signature]	
DRAWN:			DATE:	03/15/16	
CHECKED:			SCALE:		
APPROVED:	[Signature]		DATE:		MAR 23 2016
CHIEF ENGINEER			DRAWING NO. A1.02		

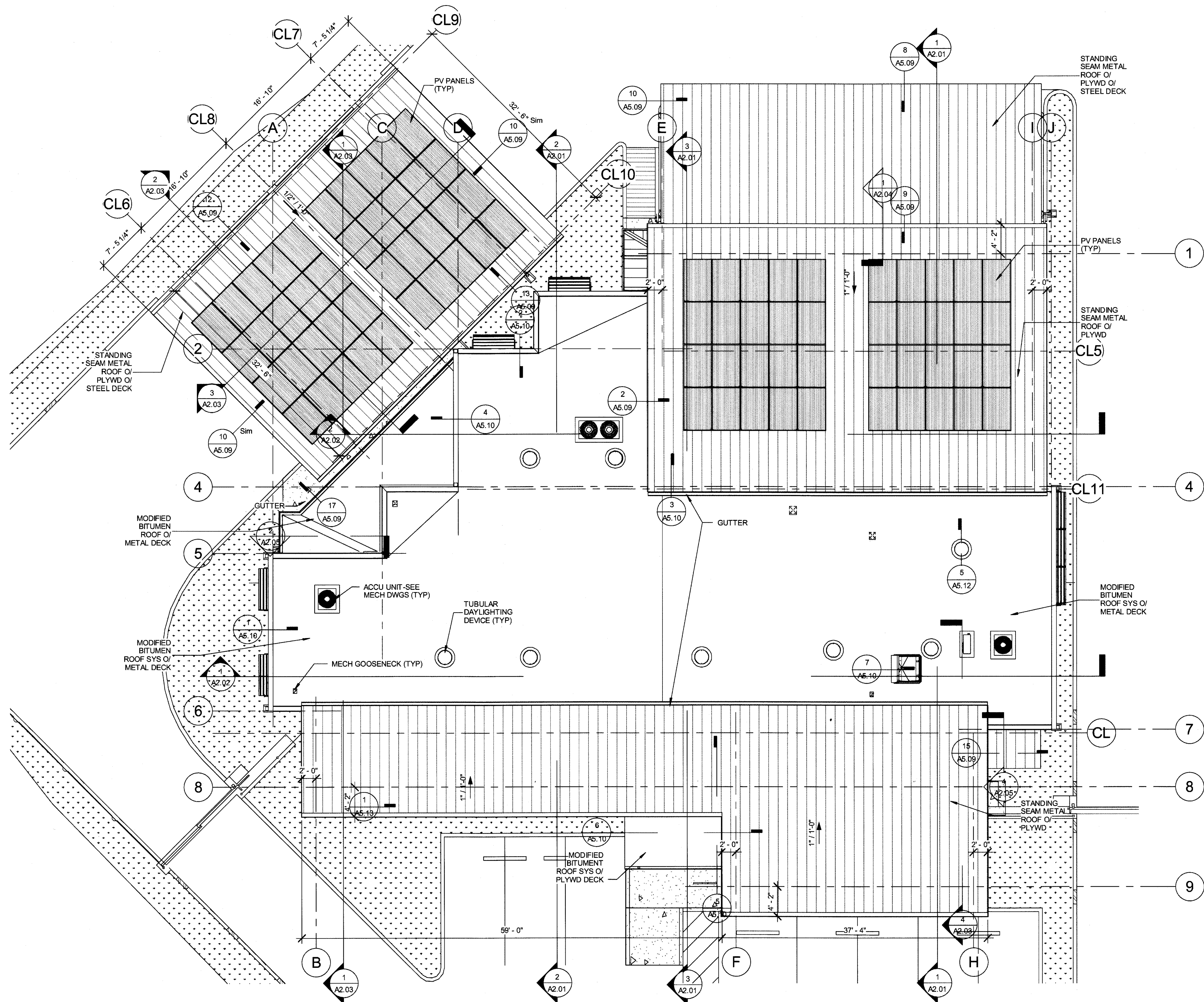
3/15/2016 9:46:42 AM



REFLECTED CEILING PLAN WALL
 DIAGRAM
 1/8" = 1'-0"

REVISION NO.	SYM.	DESCRIPTION	SHT./OF	DATE	APPROVED
STATE OF HAWAII DEPARTMENT OF LAND AND NATURAL RESOURCES ENGINEERING DIVISION MAUI OFFICE ANNEX WAILUKU, MAUI, HAWAII REFLECTED CEILING PLAN WALL DIAGRAM					
DESIGNED:	SUBMITTED: <i>ca</i>				
DRAWN:	DATE: 03/15/16				
CHECKED:	SCALE:				
APPROVED:	 CHIEF ENGINEER		DRAWING NO. A1.03		DATE MAR 23 2016

3/15/2016 9:48:43 AM



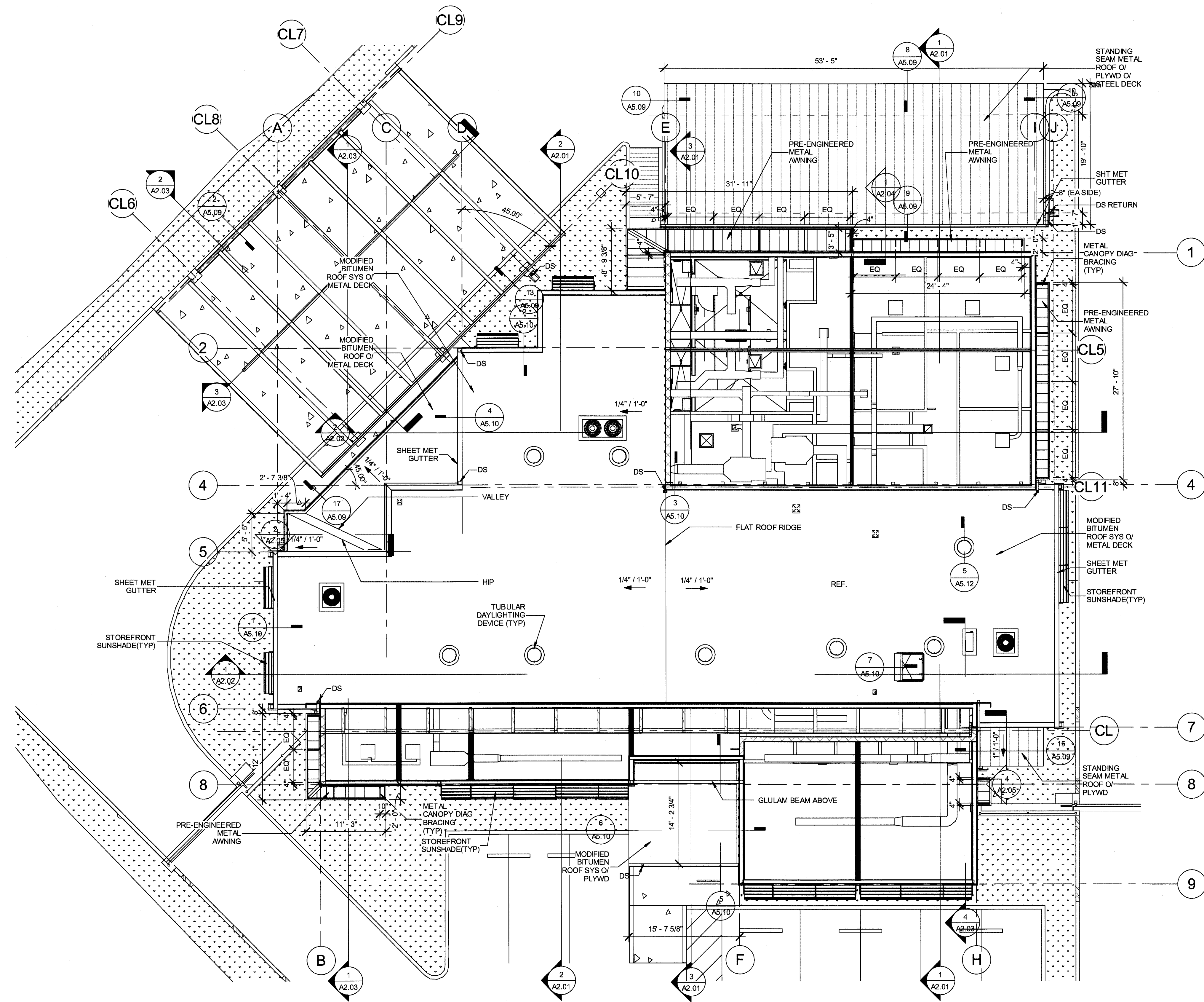
1 ROOF PLAN
1/8" = 1'-0"

REVISION NO.	SYM.	DESCRIPTION	SHT./OF	DATE	APPROVED
		STATE OF HAWAII DEPARTMENT OF LAND AND NATURAL RESOURCES ENGINEERING DIVISION			
		MAUI OFFICE ANNEX WAILUKU, MAUI, HAWAII			
		ROOF PLAN			
DESIGNED:		SUBMITTED:			
DRAWN:		DATE:	03/15/16		
CHECKED:		SCALE:			
APPROVED:		DATE:	MAR 23 2016		
CHIEF ENGINEER		DRAWING NO.	A1.04		



EXP. DATE: April 30, 2016
 THIS WORK WAS PREPARED BY ME OR UNDER MY SUPERVISION AND CONSTRUCTION OF THIS PROJECT WILL BE UNDER MY OBSERVATION.

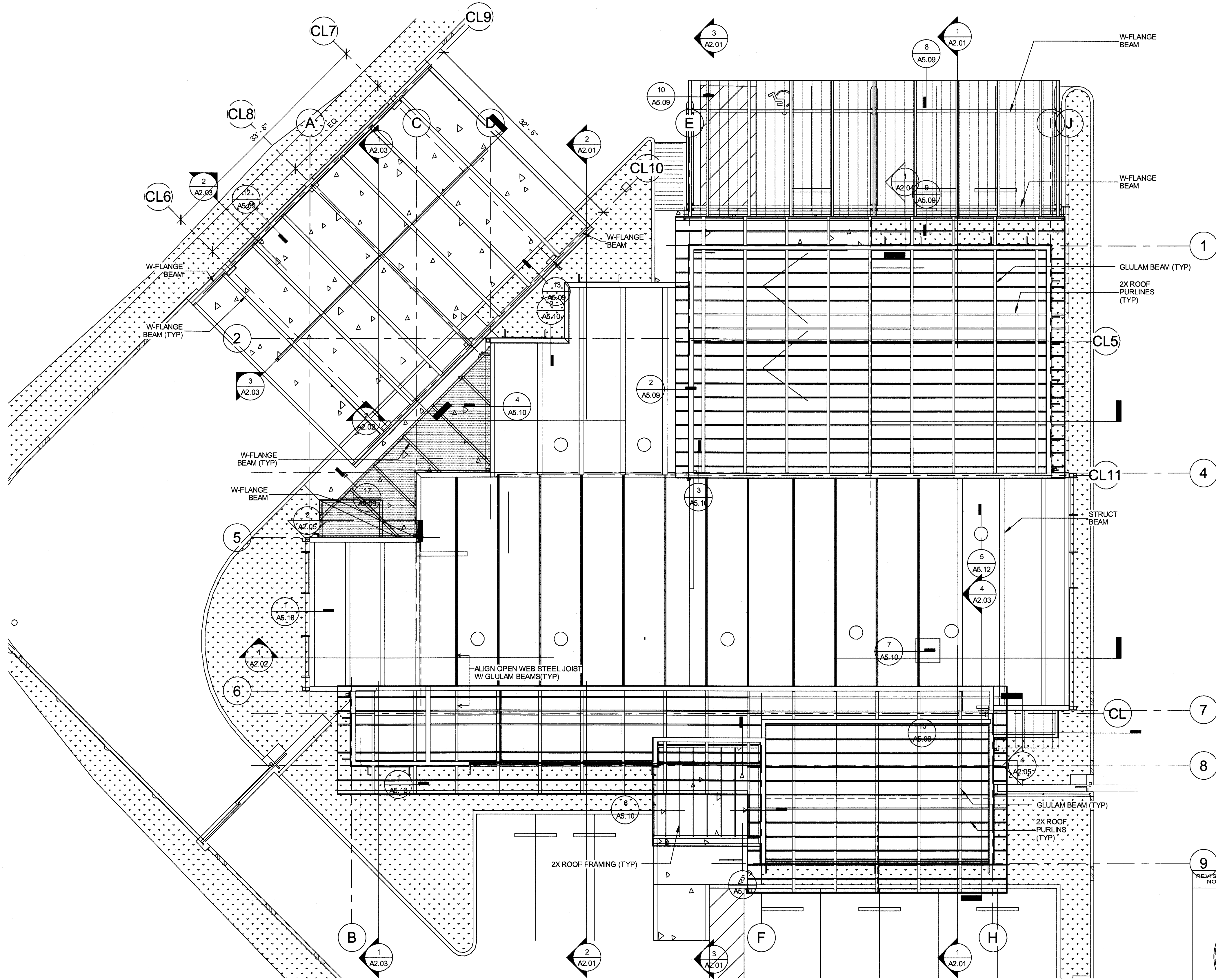
3/15/2016 9:48:44 AM



1 LOWER ROOF PLAN
1/8" = 1'-0"

REVISION NO.	SYM.	DESCRIPTION	SHT./OF	DATE	APPROVED
STATE OF HAWAII DEPARTMENT OF LAND AND NATURAL RESOURCES ENGINEERING DIVISION MAUI OFFICE ANNEX WAILUKU, MAUI, HAWAII LOWER ROOF PLAN					
DESIGNED:		SUBMITTED:	02	03/15/16	
DRAWN:		SCALE:			
CHECKED:		APPROVED:	 EXP. DATE: April 30, 2016 THIS WORK WAS PREPARED BY ME OR UNDER MY SUPERVISION AND CONSTRUCTION OF THIS PROJECT WILL BE UNDER MY OBSERVATION.		
CHIEF ENGINEER		DATE:			

3/15/2016 9:48:46 AM

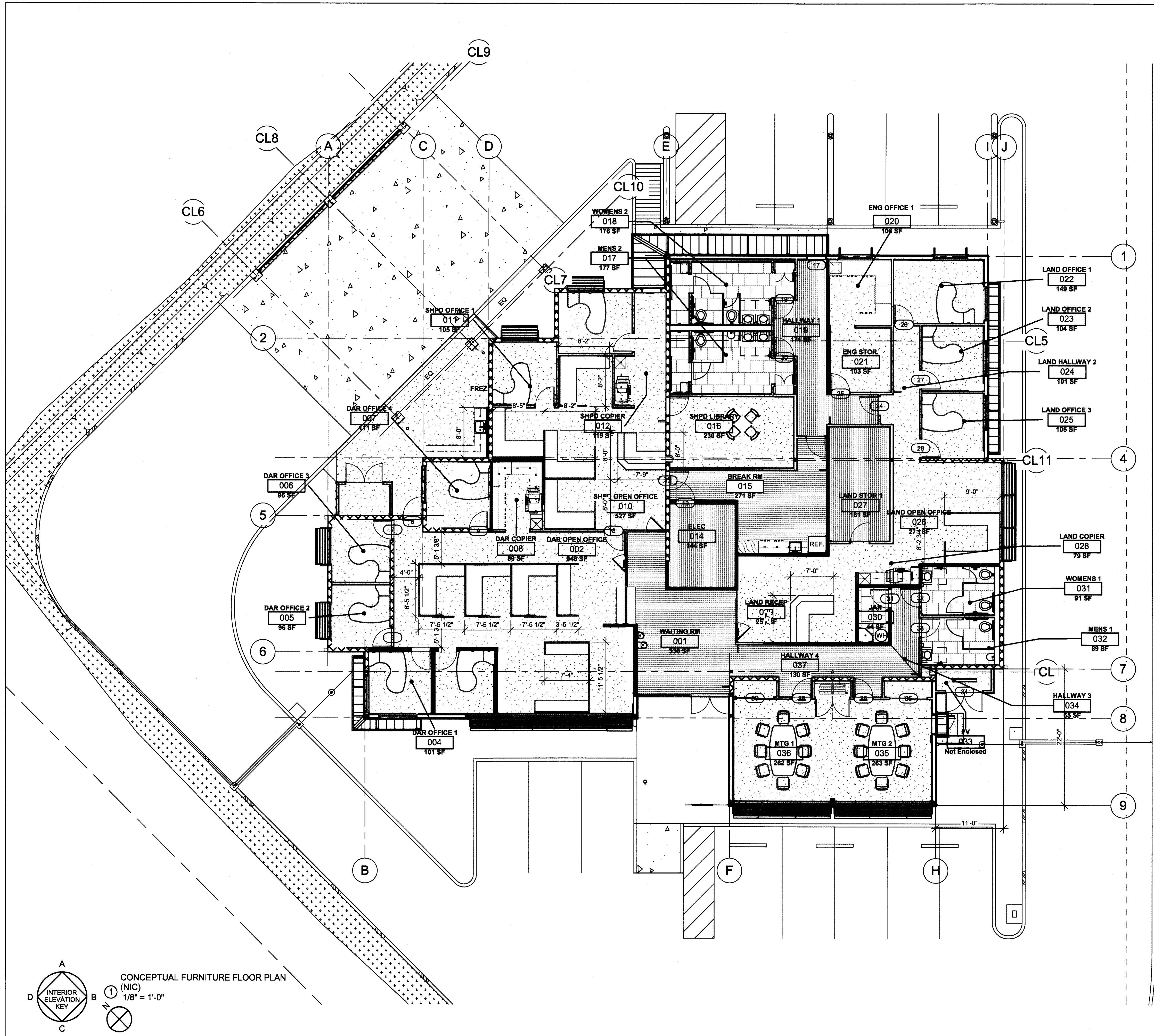


1 ROOF FRAMING
1/8" = 1'-0"

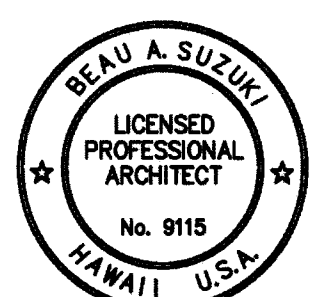
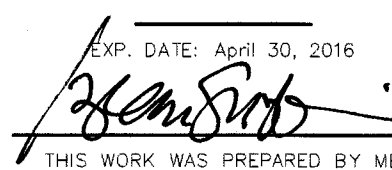
REVISION NO.	SYM.	DESCRIPTION	SHT. / OF	DATE	APPROVED

		STATE OF HAWAII DEPARTMENT OF LAND AND NATURAL RESOURCES ENGINEERING DIVISION	
MAUI OFFICE ANNEX WAILUKU, MAUI, HAWAII		ROOF FRAMING	
DESIGNED:	SUBMITTED:		
DRAWN:	DATE: 03/15/16		
CHECKED:	SCALE:		
APPROVED:	DATE: MAR 23 2016	DRAWING NO. A1.06	
THIS WORK WAS PREPARED BY ME OR UNDER MY SUPERVISION AND CONSTRUCTION OF THIS PROJECT WILL BE UNDER MY OBSERVATION.			

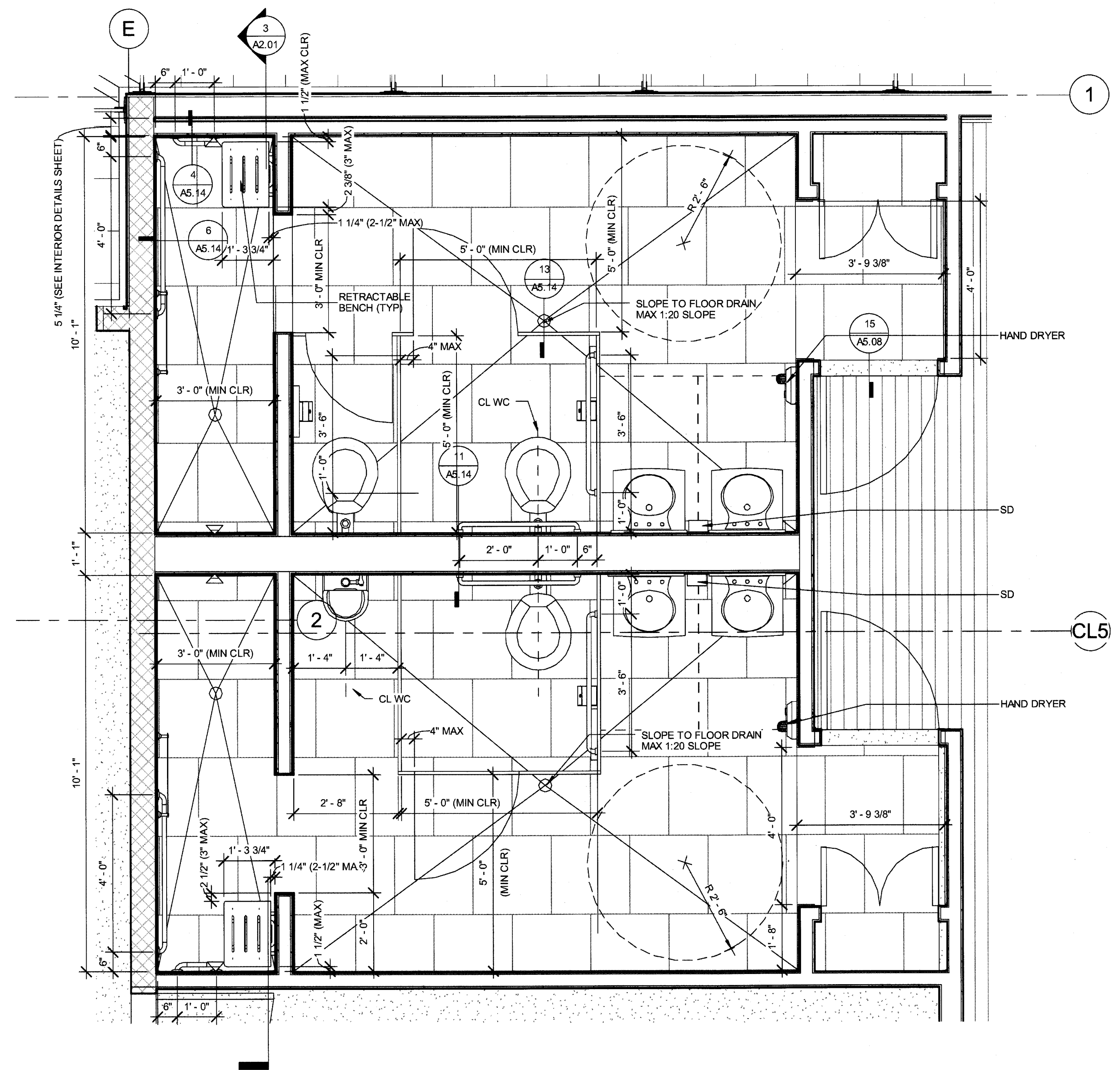
3/15/2016 9:46:47 AM



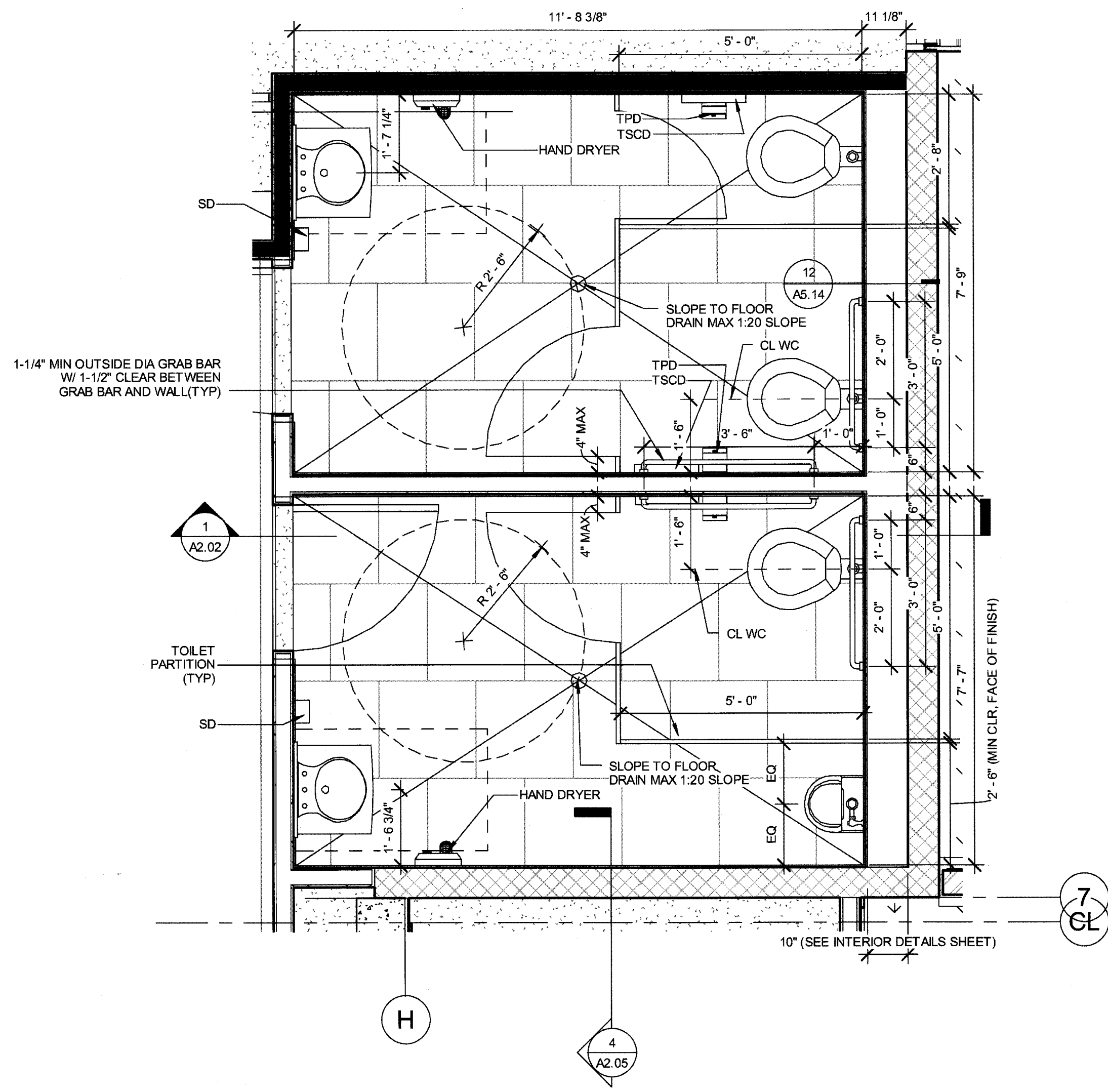
REVISION NO.	SYM.	DESCRIPTION	SHT./OF	DATE	APPROVED

		STATE OF HAWAII DEPARTMENT OF LAND AND NATURAL RESOURCES ENGINEERING DIVISION	
MAUI OFFICE ANNEX WAILUKU, MAUI, HAWAII			
CONCEPTUAL FURNITURE PLAN (N.I.C.)			
DESIGNED:	SUBMITTED: <i>gpc</i>		
DRAWN:	DATE: 03/15/16		
CHECKED:	SCALE:		
APPROVED:	 CHIEF ENGINEER		DRAWING NO. A1.07
THIS WORK WAS PREPARED BY ME OR UNDER MY SUPERVISION AND CONSTRUCTION OF THIS PROJECT WILL BE UNDER MY OBSERVATION.			DATE MAR 23 2016

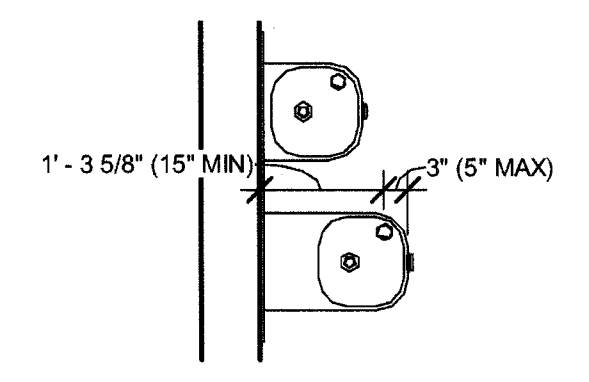
1/22/2016 10:47:33 AM



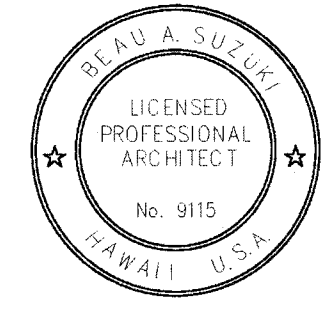
① MENS 2 AND WOMENS 2 RESTROOMS
 DETAILED FLOOR PLAN
 1/2" = 1'-0"



② MENS 1 AND WOMENS 1 DETAILED
 FLOOR PLAN
 1/2" = 1'-0"



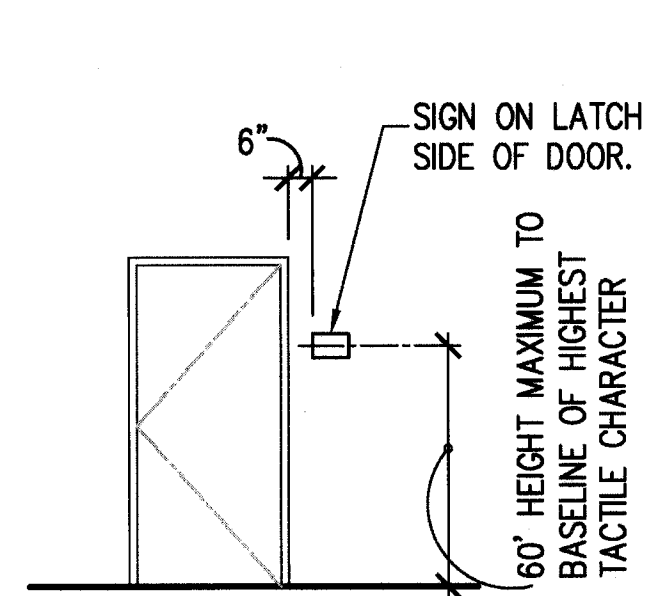
③ DRINKING FOUNTAIN DETAIL PLAN
 1/2" = 1'-0"

REVISION NO.	SYM.	DESCRIPTION	SHT./OF	DATE	APPROVED
STATE OF HAWAII DEPARTMENT OF LAND AND NATURAL RESOURCES ENGINEERING DIVISION MAUI OFFICE ANNEX WAILUKU, MAUI, HAWAII DETAILED FLOOR PLANS					
DESIGNED:			SUBMITTED: <i>gc</i>		
DRAWN:			DATE: 03/15/16		
CHECKED:			SCALE:		
APPROVED:			DRAWING NO.		
 EXP. DATE: April 30, 2016 <i>Brian Sulecki</i> THIS WORK WAS PREPARED BY ME OR UNDER MY SUPERVISION AND CONSTRUCTION OF THIS PROJECT WILL BE UNDER MY OBSERVATION.			DATE: MAR 23 2016 DATE		A1.08

3/15/2016 9:45:52 AM

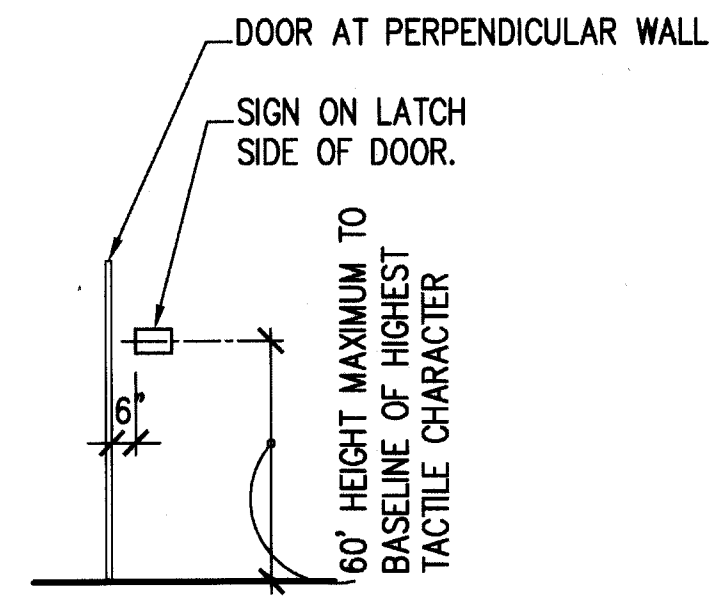
SIGN SCHEDULE								
Rm No.	Room name	Door No.	Sign Line 1	Sign Line 2	Sign Line 3	Signage Type	Mounting Type	Notes
001	WAITING ROOM	1				NONE		
002	DAR OPEN OFFICE	2	DIVISION OF	AQUATIC	RESOURCES	D	1	
002	DAR OPEN OFFICE	8				NONE		
003	DAR OFFICE 5	4				NONE		
004	DAR OFFICE 1	5				NONE		
005	DAR OFFICE 2	6				NONE		
006	DAR OFFICE 3	7				NONE		
007	DAR OFFICE 4	9				NONE		
008	DAR COPIER	-				-		
009	SCUBA STOR.	10				NONE		
010	SHPD OPEN OFFICE	12	STATE HISTORIC	PRESERVATION	DIVISION	D	1	MOUNTED ON STORE FRONT GLASS PANEL
010	SHPD OPEN OFFICE	3				NONE		
011	SHPD OFFICE 1	11				NONE		
012	SHPD COPIER	16				NONE		
013	SHPD OFFICE 2	15				NONE		
014	ELECTRICAL	40	ELECTRICAL	ROOM		C	1	
015	BREAKROOM	13	BREAKROOM			C	1	
015	BREAKROOM	23	BREAKROOM			C		
016	SHPD LIBRARY	14	LIBRARY			C	1	
017	MENS 2	19	MEN			B	2	
018	WOMENS 2	20	WOMEN			A	2	
019	HALLWAY 1	17				NONE		
019A	HALLWAY 2	-				-		
020	ENG OFFICE 1	-				-		
021	ENG STOR.	25	ENGINEERING	DIVISION		C	1	
022	LAND OFFICE 1	26				NONE		
023	LAND OFFICE 2	27				NONE		
024	LAND HALLWAY 2	24				NONE		
025	LAND OFFICE 3	28				NONE		
026	LAND OPEN OFFICE	-				-		
027	LAND STOR 1	29	LIBRARY			C	1	
028	LAND COPIER	-				NONE		
029	LAND RECEP	30	LAND	DIVISION		C	1	MOUNTED ON STORE FRONT GLASS PANEL
030	JANITOR	31	JANITOR'S	ROOM		C	1	
031	WOMENS 1	32	WOMEN			A	1	
032	MENS 1	33	MEN			B	1	
033	PV	34				NONE		
034	HALLWAY 3	-				-		
035	MTG 2	36	CONFERENCE	ROOM 2		C	1	
035	MTG 2	4				NONE		
036	MTG 1	38	CONFERENCE	ROOM 1		C	1	
037	HALLWAY 4	-				-		
B001	HALLWAY 4	BB1				NONE		
B002	HALLWAY 4	BB2				NONE		
B003	HALLWAY 4	BB6				NONE		
B004	HALLWAY 4	BB5				NONE		

NOTE: ALL EXIT SIGNAGE SHOWN ON ELECTRICAL DRAWINGS

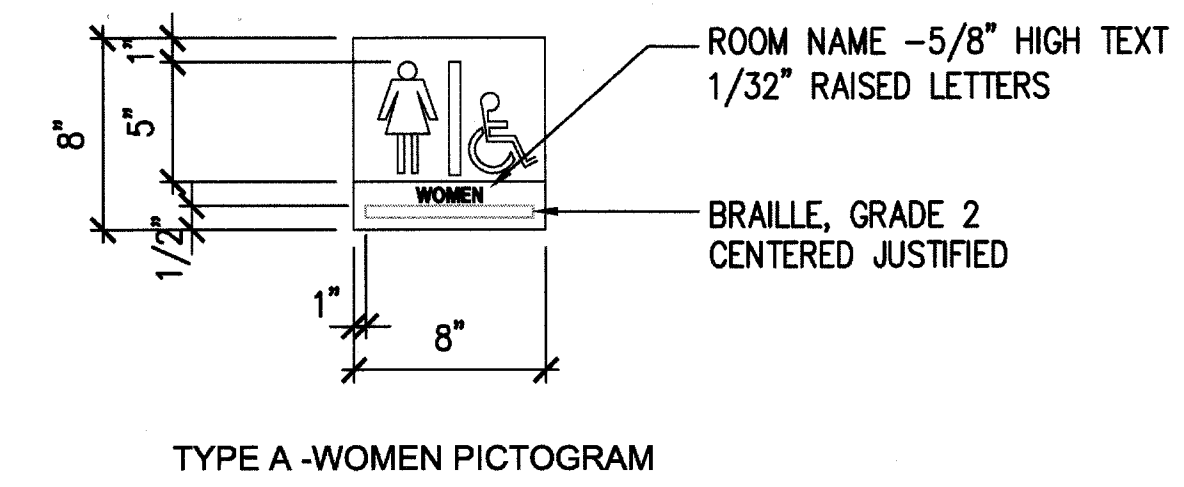


TYPE 1

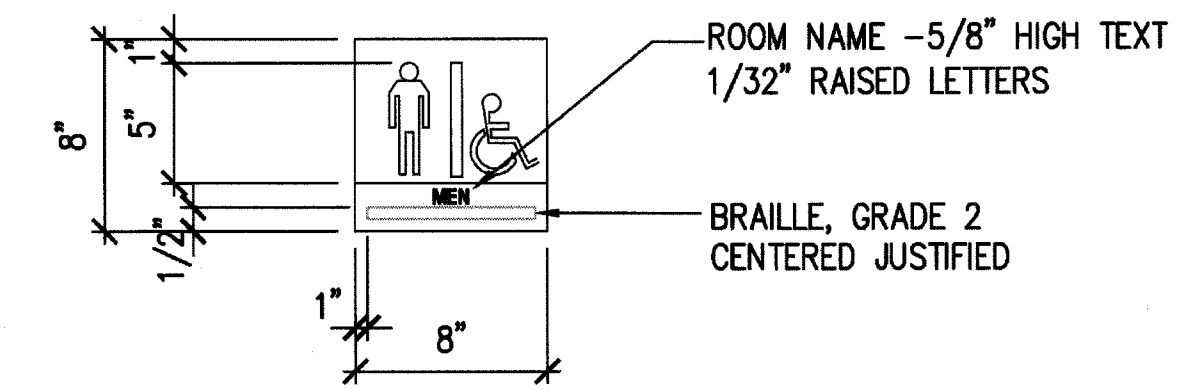
SIGNAGE MOUNTING LOCATION
NOT TO SCALE



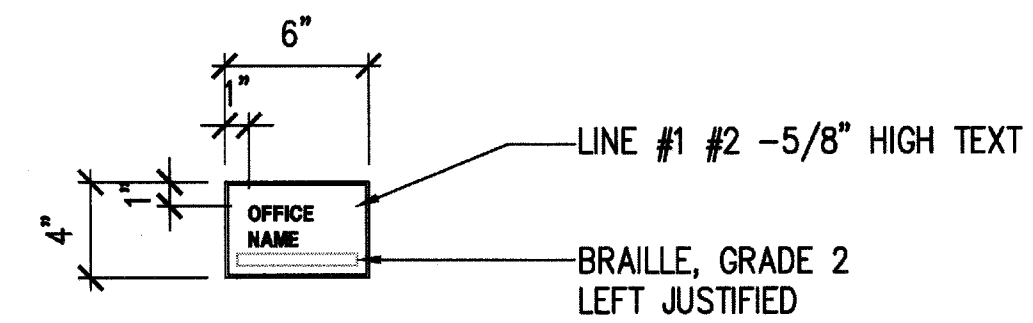
TYPE 2



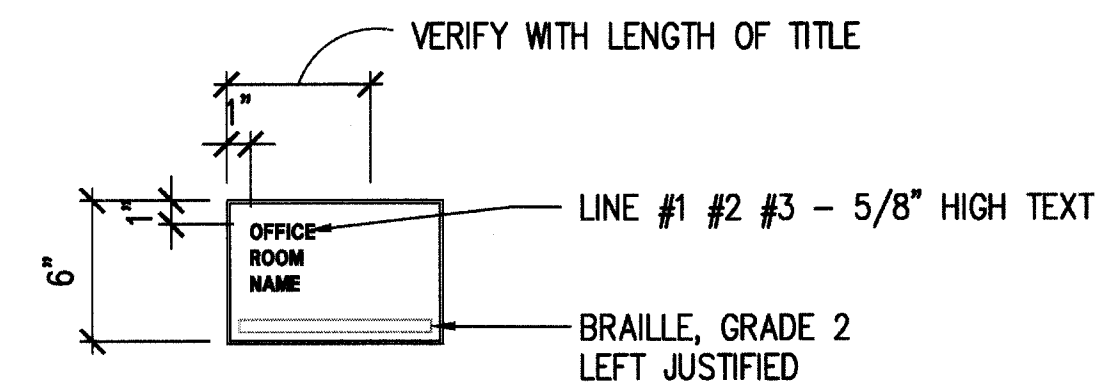
TYPE A - WOMEN PICTOGRAM



TYPE B - MEN PICTOGRAM



TYPE C - TYPICAL ROOM SIGN (2 SIGN LINES)



TYPE D - ROOM SIGN (3 SIGN LINES)

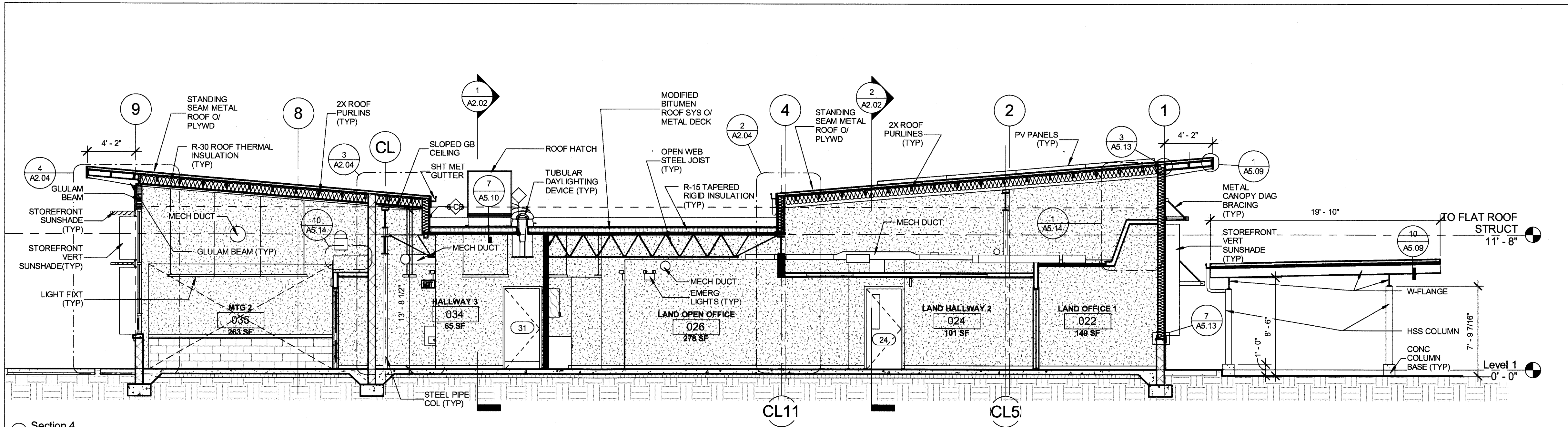
SIGNAGE TYPE
NOT TO SCALE

REVISION NO.	SYM.	DESCRIPTION	SHT./OF	DATE	APPROVED
STATE OF HAWAII DEPARTMENT OF LAND AND NATURAL RESOURCES ENGINEERING DIVISION					
MAUI OFFICE ANNEX WAILUKU, MAUI, HAWAII					
ROOM FINISH SCHEDULE					
DESIGNED:			SUBMITTED:		
DRAWN:			DATE:	03/15/16	
CHECKED:			SCALE:		
APPROVED: <i>[Signature]</i>			DATE: MAR 23 2016		DRAWING NO. A1.09
CHIEF ENGINEER					

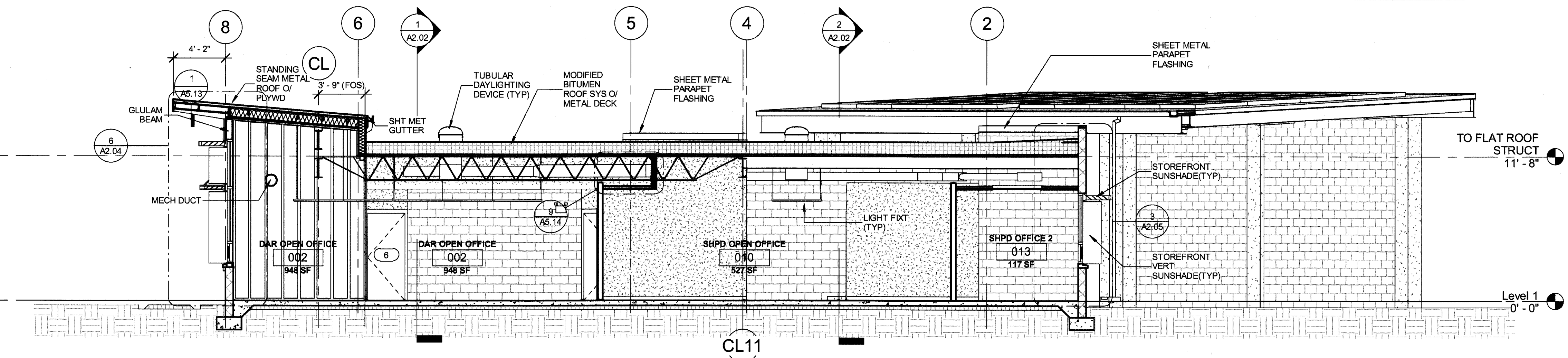
ROOM FINISH SCHEDULE								
Room Number	Name	Floor Finish	Base Finish	Wainscott Finish	Wall Finish	Ceiling Finish	Soffit	Comments
001	WAITING ROOM	VCT - 1	B - 1	-	CMU - 1 / PT - 1	PT - 2 / PT - 3	APT - 1	
002	DAR OPEN OFFICE	CPT - 1	B - 2	-	CMU - 1 / PT - 1	PT - 2 / PT - 3		
003	DAR OFFICE 5	CPT - 1	B - 2	CMU - 1	CMU - 1 / PT - 1	PT - 2		
004	DAR OFFICE 1	CPT - 1	B - 2	CMU - 1	CMU - 1 / PT - 1	APT - 1		
005	DAR OFFICE 2	CPT - 1	B - 2	-	CMU - 1 / PT - 1	APT - 1		
006	DAR OFFICE 3	CPT - 1	B - 2	-	CMU - 1 / PT - 1	APT - 1		
007	DAR OFFICE 4	CPT - 1	B - 2	-	CMU - 1 / PT - 1	APT - 1		
008	DAR COPIER	CPT - 1	B - 2	-	PT - 1	APT - 1		
009	SCUBA STOR.	CONC - 1	NONE	-	PT - 4	PT - 6		
010	SHPD OPEN OFFICE	CPT - 1	B - 2	-	CMU - 1 / PT - 1	PT - 3	APT - 1	
011	SHPD OFFICE 1	CPT - 1	B - 2	-	CMU - 1 / PT - 1	APT - 1		
012	SHPD COPIER	CPT - 1	B - 2	-	PT - 1	PT - 2		
013	SHPD OFFICE 2	CPT - 1	B - 2	-	CMU - 1 / PT - 1	APT - 1		
014	ELECTRICAL	VCT - 1	B - 1	-	CMU - 1 / PT - 1	PT - 3		
015	BREAKROOM	VCT - 1	B - 1	-	PT - 1	APT - 1		
016	SHPD LIBRARY	CPT - 1	B - 2	-	CMU - 1 / PT - 1	APT - 1		
017	MENS 2	T - 1	T - 2	-	T - 2 / PT - 4	PT - 4		
018	WOMENS 2	T - 1	T - 2	-	T - 2 / PT - 4	PT - 4		
019	HALLWAY 1	VCT - 1	B - 1	CMU - 1	PT - 1	PT - 2		
019A	HALLWAY 2	VCT - 1	B - 1	-	PT - 1	PT - 2		
020	ENG OFFICE 1	CPT - 1	B - 2	CMU - 1	PT - 1	APT - 1		
021	ENG STOR.	CPT - 1	B - 2	-	PT - 1	PT - 2 / APT - 1		
022	LAND OFFICE 1	CPT - 1	B - 2	CMU - 1	PT - 1	PT - 2 / APT - 1		
023	LAND OFFICE 2	CPT - 1	B - 2	CMU - 1	PT - 1	APT - 1		
024	LAND HALLWAY 2	CPT - 1	B - 2	-	PT - 1	PT - 2		
025	LAND OFFICE 3	CPT - 1	B - 2	CMU - 1	PT - 1	APT - 1		
026	LAND OPEN OFFICE	CPT - 1	B - 2	CMU - 1	CMU - 1 / PT - 1	PT - 3		
027	LAND STOR 1	VCT - 1	B - 1	-	PT - 1	AP - 1		
028	LAND COPIER	CPT - 1	B - 2	-	PT - 1	PT - 3		
029	LAND RECEP	CPT - 1	B - 2	-	PT - 1	APT - 1 / PT - 3		
030	JANITOR'S ROOM	T - 1	T - 1	-	PT - 1	PT - 3		
031	WOMENS 1	T - 1	T - 2	-	T - 2 / PT - 4	PT - 4		
032	MENS 1	T - 1	T - 2	-	T - 2 / PT - 4	PT - 4		
033	PV	CONC - 1	NONE	-	PT - 4	PT - 6		
034	HALLWAY 3	VCT - 1	B - 1	-	CMU - 1 / PT - 1	PT - 2 / PT - 3		
035	MTG 2	CPT - 1	B - 2	CMU - 1	PT - 1	PT - 2		
036	MTG 1	CPT - 1	B - 2	CMU - 1	PT - 1	PT - 2		
037	HALLWAY 4	VCT - 1	B - 1	-	CMU - 1 / PT - 1	PT - 2 / PT - 3		
B001	SHPD STOR	CONC - 1	NONE	-	CMU - 1 / PT - 1	PT - 2		
B002	IWI STOR	CONC - 1	NONE	-	CMU - 1 / PT - 1	PT - 2		
B003	LAND STOR	CONC - 1	NONE	CMU - 1	PT - 1	PT - 2		
B004	DAR STOR	CONC - 1	NONE	CMU - 1	PT - 1	PT - 2		

COLOR INDEX							
Material Group	Code	Source/Mfr. Equivalent to	MFR. Model &/ Of Color Number	Pattern, Design or Color Name	Finish	Size	Remarks
ACCUSTICAL CEILING TILE							
ACCUSTICAL CEILING TILE	C - 1	ARMSTRONG	OPTIMA 3251	WHITE		24 X 24	REGULAR EDGE
CARPET							
CARPET	CPT - 1	BENTLEY	ARCADE LEGEND STYLE	8 ALT 4		24 X 24	MONOLITHIC PATTERN
CONCRETE							
CONCRETE	CONC - 1	CLEAR SEALER					
CONCRETE MASONRY UNIT							
CONCRETE MASONRY UNIT	CMU - 1	CLEAR SEALER					
PAINT							
PAINT	PT - 1	BENJAMIN MOORE					@ GYP. BD WALLS
PAINT	PT - 2	BENJAMIN MOORE					@ GYP. BD CEILING
PAINT	PT - 3	BENJAMIN MOORE					@ METAL DECKING CEILING
PAINT	PT - 4	BENJAMIN MOORE					@ BATHROOM CEILING
PAINT	PT - 5	BENJAMIN MOORE					@ BATHROOM WALL
PAINT	PT - 6	BENJAMIN MOORE					@ EXTERIOR STORAGE RMS.
PLASTIC LAMINATE							
PLASTIC LAMINATE	PL - 1	NEVAMAR					
PLASTIC LAMINATE	PL - 2	NEVAMAR					
RESILIENT COVE BASE							
RESILIENT COVE BASE	RB - 1	ROPPE	STANDARD COVE			1/8" THK / 4"	@ VINYL PLANK FLOORING
RESILIENT COVE BASE	RB - 2	ROPPE	STANDARD NO TOE			1/8" THK / 4"	@ CARPET
SOLID COUNTER SURFACE							
SOLID COUNTER SURFACE	SS - 1	CORIAN	GRADE F			3/4" THK	
SOLID COUNTER SURFACE	SS - 2	CORIAN	GRADE F			3/4" THK	
TILE							
TILE - PORCELAIN	T - 1	AMERICAN OLEAN	SCENE			24 X 24	STANDARD BRICK PATTERN
TILE - PORCELAIN	T - 2	AMERICAN OLEAN	LAUREL HEIGHTS			12 X 24	MONOLITHIC PATTERN
VINYL COMPOSITE FLOORING							
VINYL COMPOSITE FLOORING	VCT - 1	BENTLEY	BEAM P BEAM			6 X 36	VINYL PLANK FLOORING
WINDOW TREATMENTS							
WINDOW TREATMENTS	WT - 1	MECO / 5	THERMOVEIL 1500 SERIES				
WOOD							
WOOD	W - 1	MARSHFIELD	SIGNATURE SERIES	WHITE OAK VENEER			@ DOORS

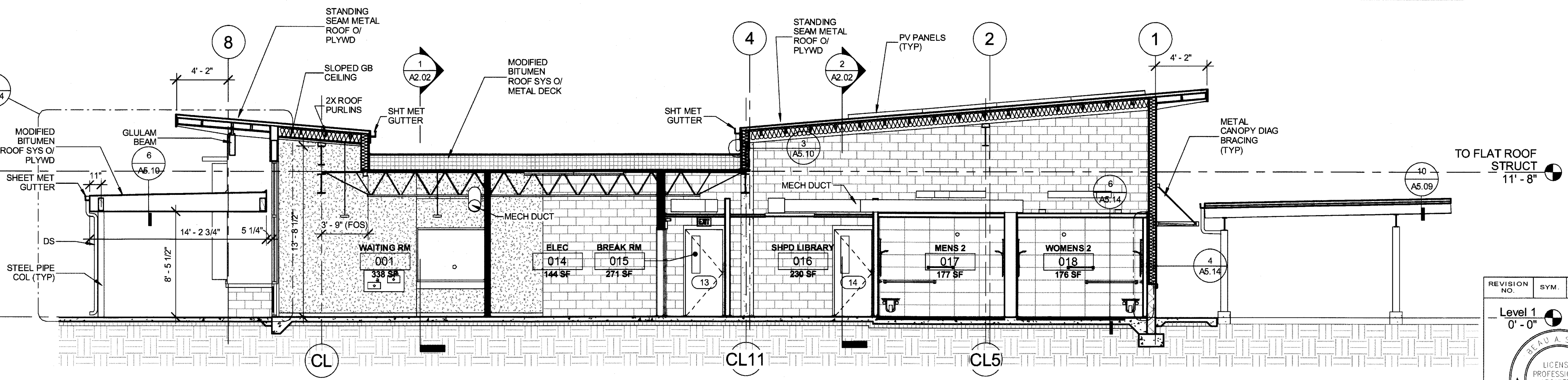
REVISION NO.	SYM.	DESCRIPTION	SHT./OF	DATE	APPROVED
STATE OF HAWAII DEPARTMENT OF LAND AND NATURAL RESOURCES ENGINEERING DIVISION					
MAUI OFFICE ANNEX WAILUKU, MAUI, HAWAII					
ROOM FINISH SCHEDULE					
DESIGNED:			SUBMITTED: <i>ac</i>		
DRAWN:			DATE: 03/15/16		
CHECKED:			SCALE:		
APPROVED: <i>[Signature]</i>			DATE: MAR 23 2016		
THIS WORK WAS PREPARED BY ME OR UNDER MY SUPERVISION AND CONSTRUCTION OF THIS PROJECT WILL BE UNDER MY OBSERVATION.			DRAWING NO. A1.10		



1 Section 4
3/16" = 1'-0"



2 Section 8
3/16" = 1'-0"



3 Section 1
3/16" = 1'-0"

REVISION NO.	SYM.	DESCRIPTION	SHT./OF	DATE	APPROVED

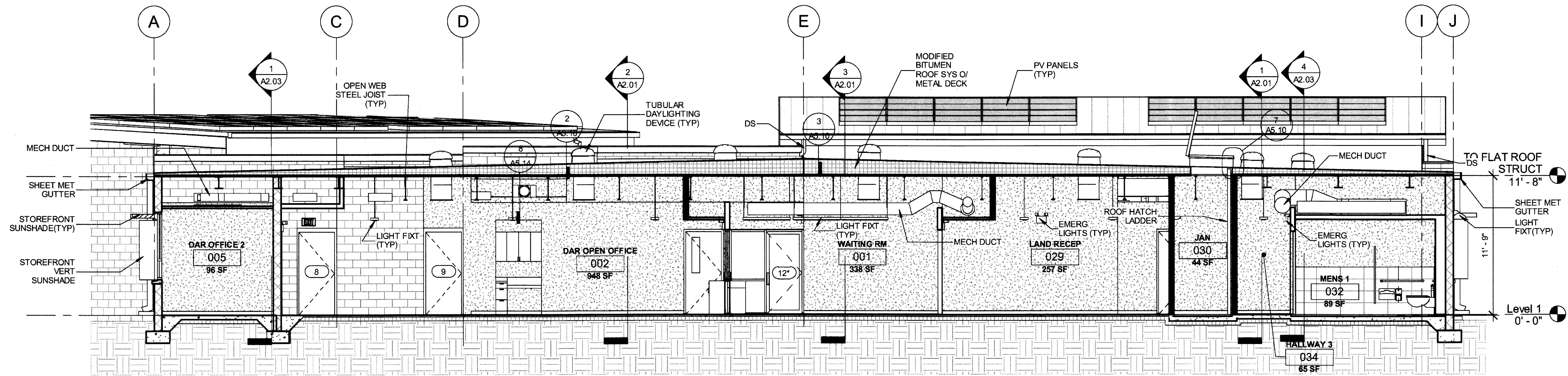
Level 1
0' - 0"

DATE: April 30, 2016

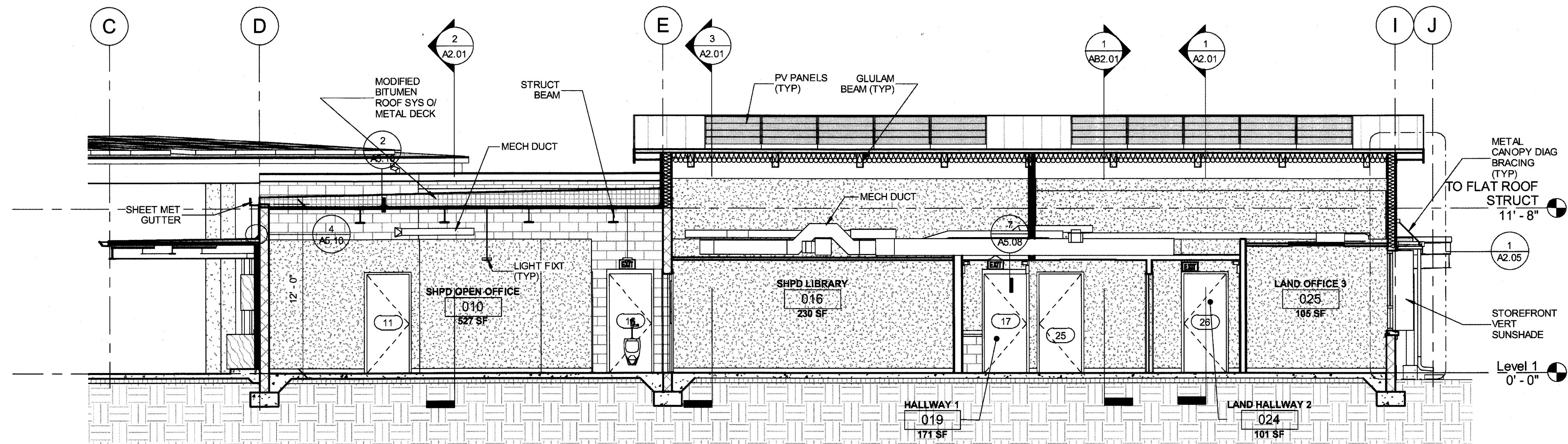
DESIGNED: [Signature] SUBMITTED: [Signature]
 DRAWN: [Signature] DATE: 03/15/16
 CHECKED: [Signature] SCALE:

APPROVED: [Signature] DATE: MAR 23 2016
 CHIEF ENGINEER

DRAWING NO. A2.01

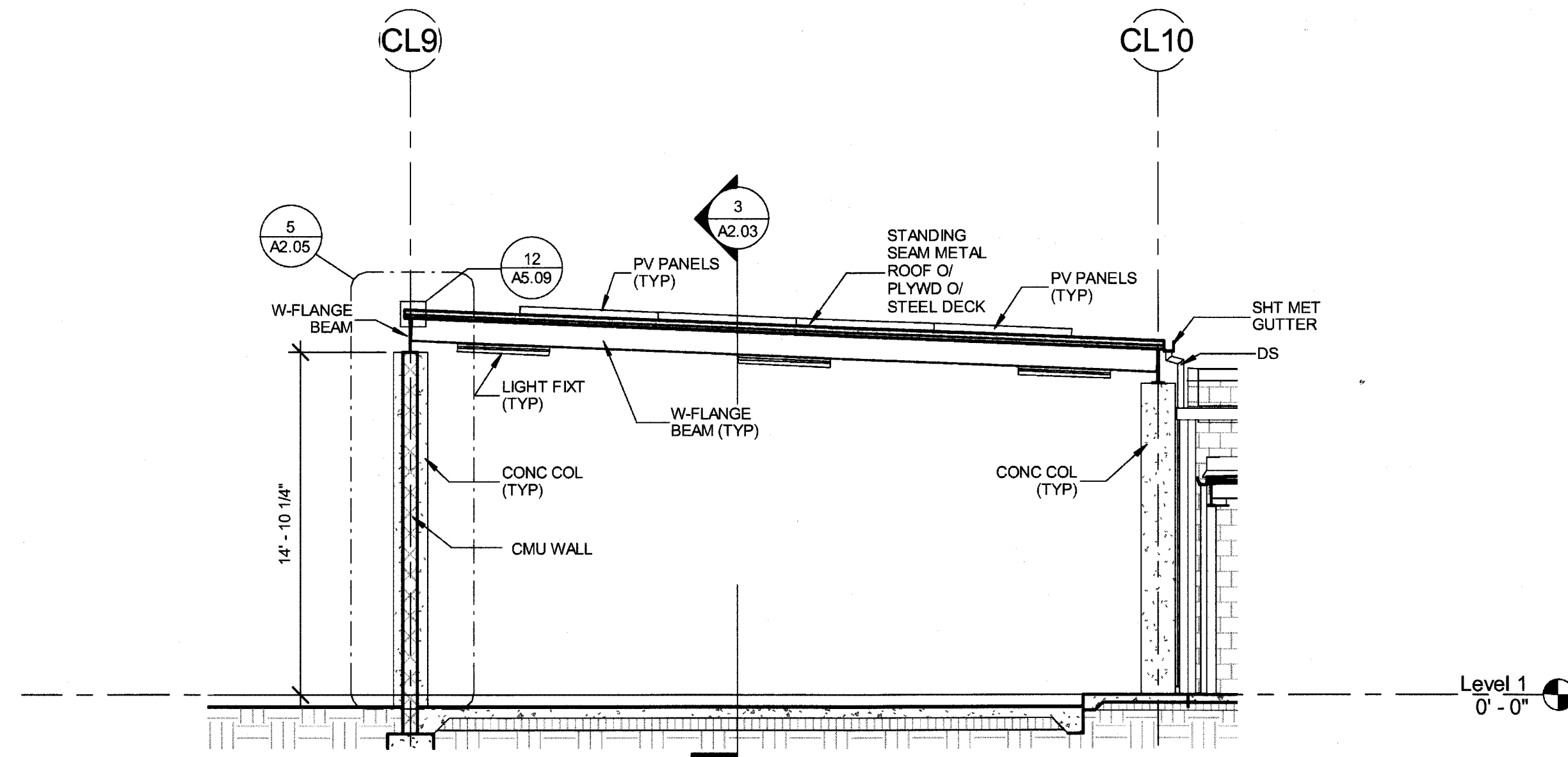


① Section 32
3/16" = 1'-0"

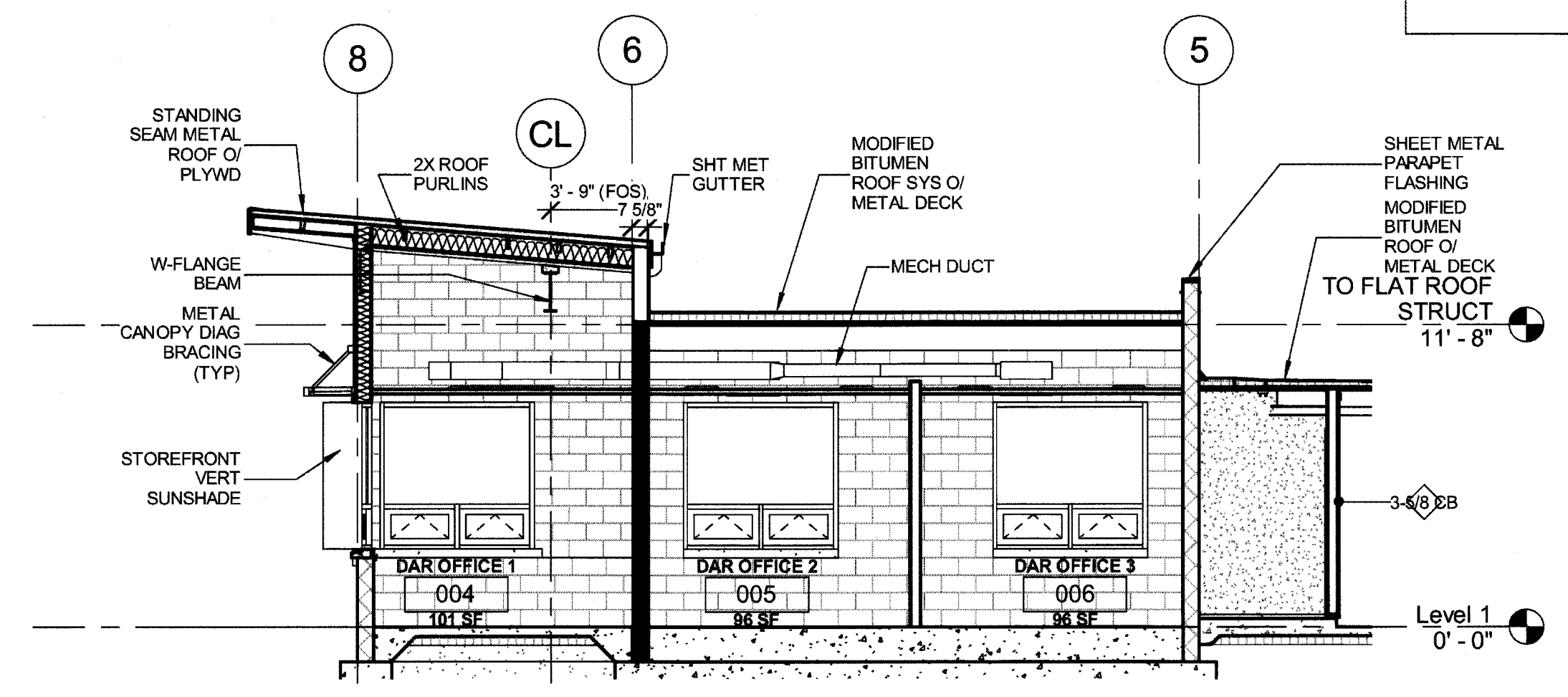


② Section 2
3/16" = 1'-0"

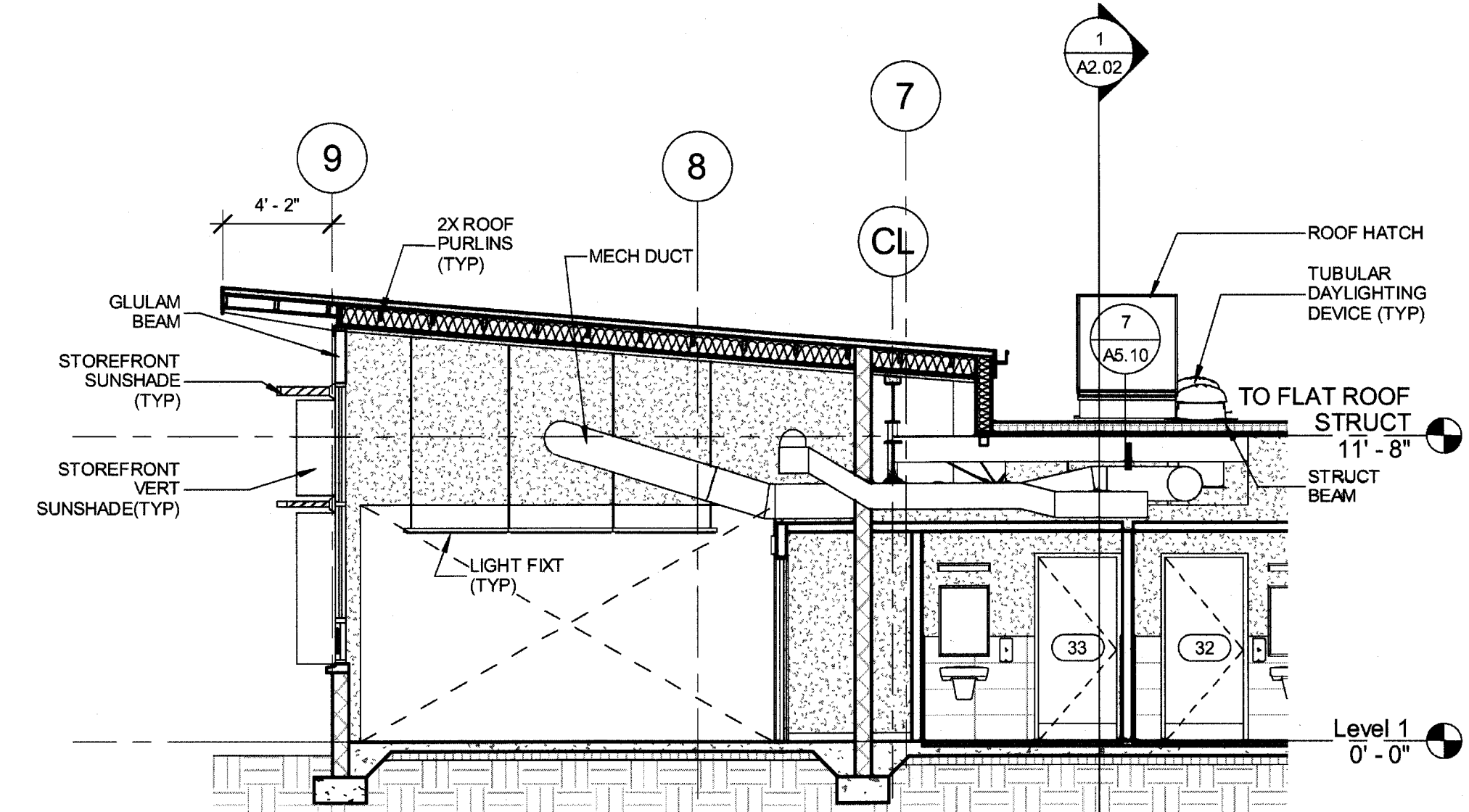
REVISION NO.	SYM.	DESCRIPTION	SHT./OF	DATE	APPROVED
STATE OF HAWAII DEPARTMENT OF LAND AND NATURAL RESOURCES ENGINEERING DIVISION					
MAUI OFFICE ANNEX WAILUKU, MAUI, HAWAII					
BUILDING SECTIONS					
DESIGNED:			SUBMITTED:		
DRAWN:			DATE:	03/15/16	
CHECKED:			SCALE:		
APPROVED:				DRAWING NO.	
			EXP. DATE: April 30, 2016 THIS WORK WAS PREPARED BY ME OR UNDER MY SUPERVISION AND CONSTRUCTION OF THIS PROJECT WILL BE UNDER MY OBSERVATION.		DATE: MAR 23 2018 A2.02



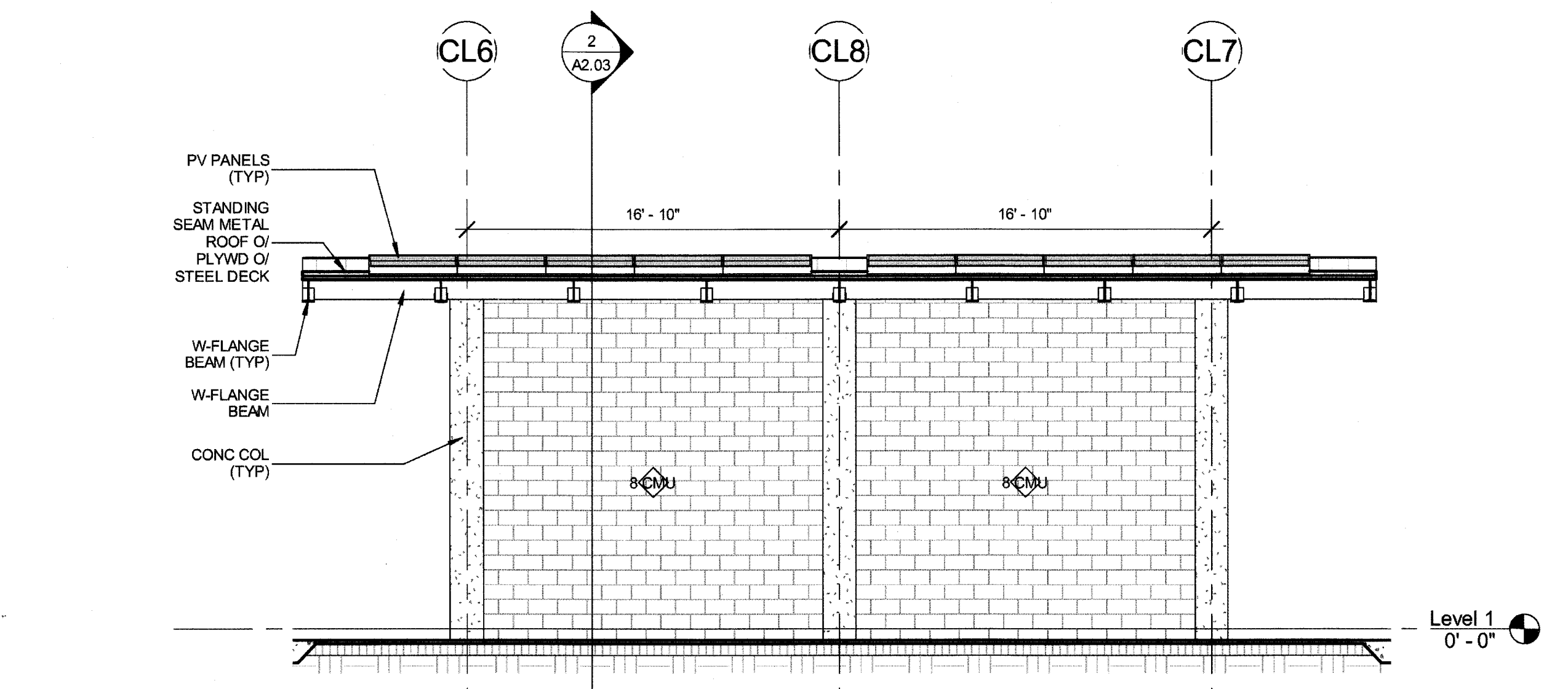
2 BOAT CAR PORT
3/16" = 1'-0"



1 Section 3
3/16" = 1'-0"

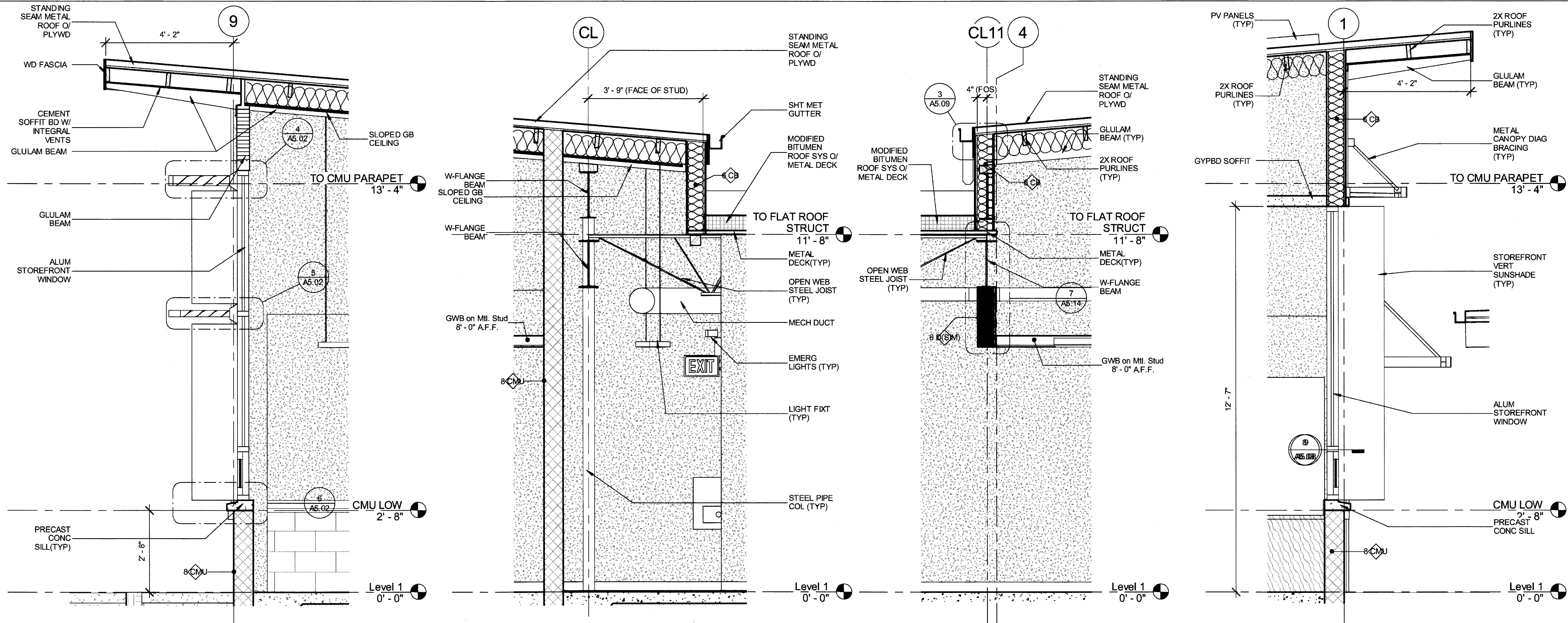


4 Section 50
3/16" = 1'-0"



3 BOAT CARPORT LONG SECTION
3/16" = 1'-0"

REVISION NO.	SYM.	DESCRIPTION	SHT./OF	DATE	APPROVED
STATE OF HAWAII DEPARTMENT OF LAND AND NATURAL RESOURCES ENGINEERING DIVISION					
MAUI OFFICE ANNEX WAILUKU, MAUI, HAWAII					
BUILDING SECTIONS					
DESIGNED:		SUBMITTED:			
DRAWN:		DATE:	03/15/16		
CHECKED:		SCALE:			
APPROVED:		DATE:		DRAWING NO.	
 Alan A. Suzuki CHIEF ENGINEER		MAR 23 2016 DATE		A2.03 DRAWING NO.	

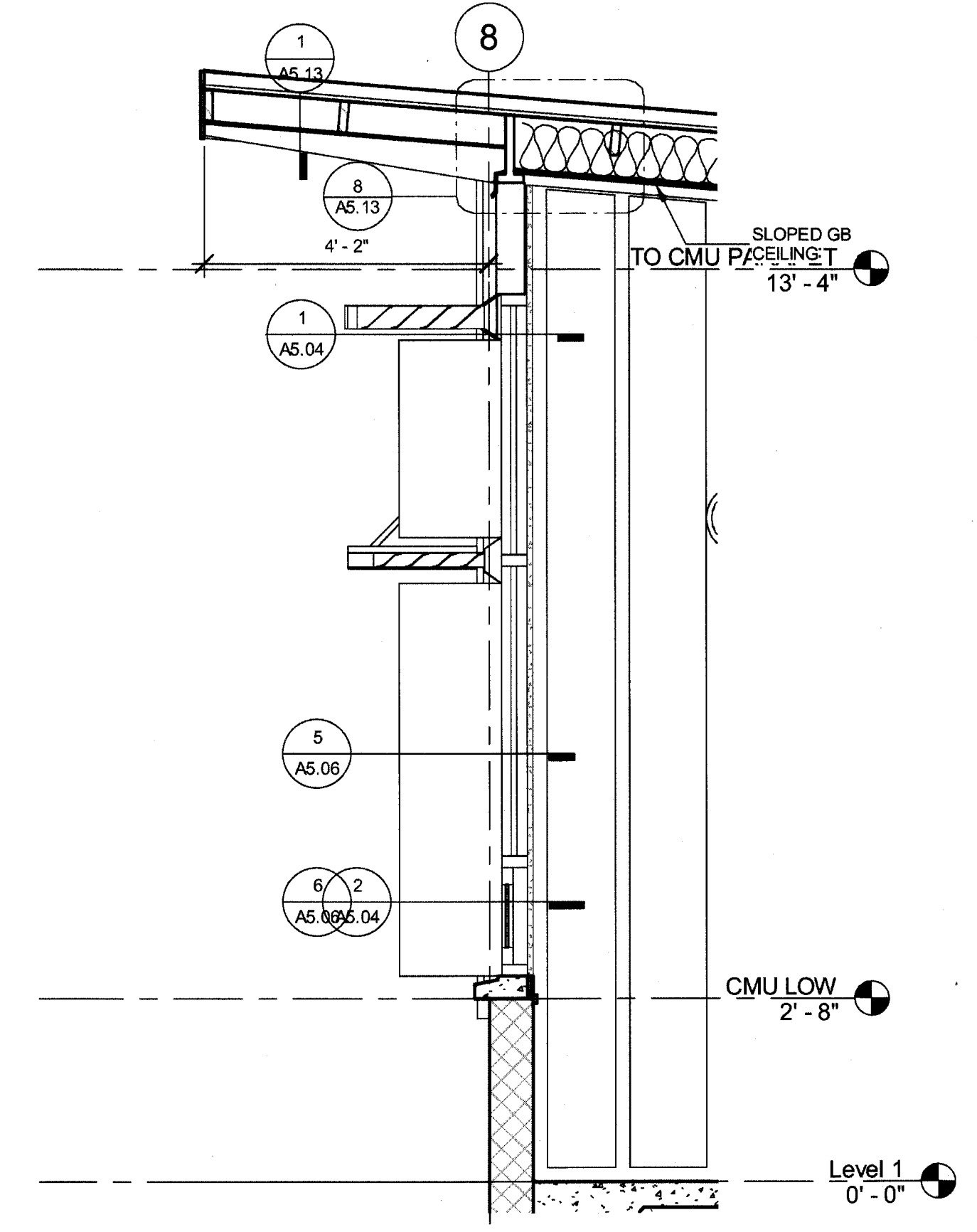


4 Callout of Section 4
1/2" = 1'-0"

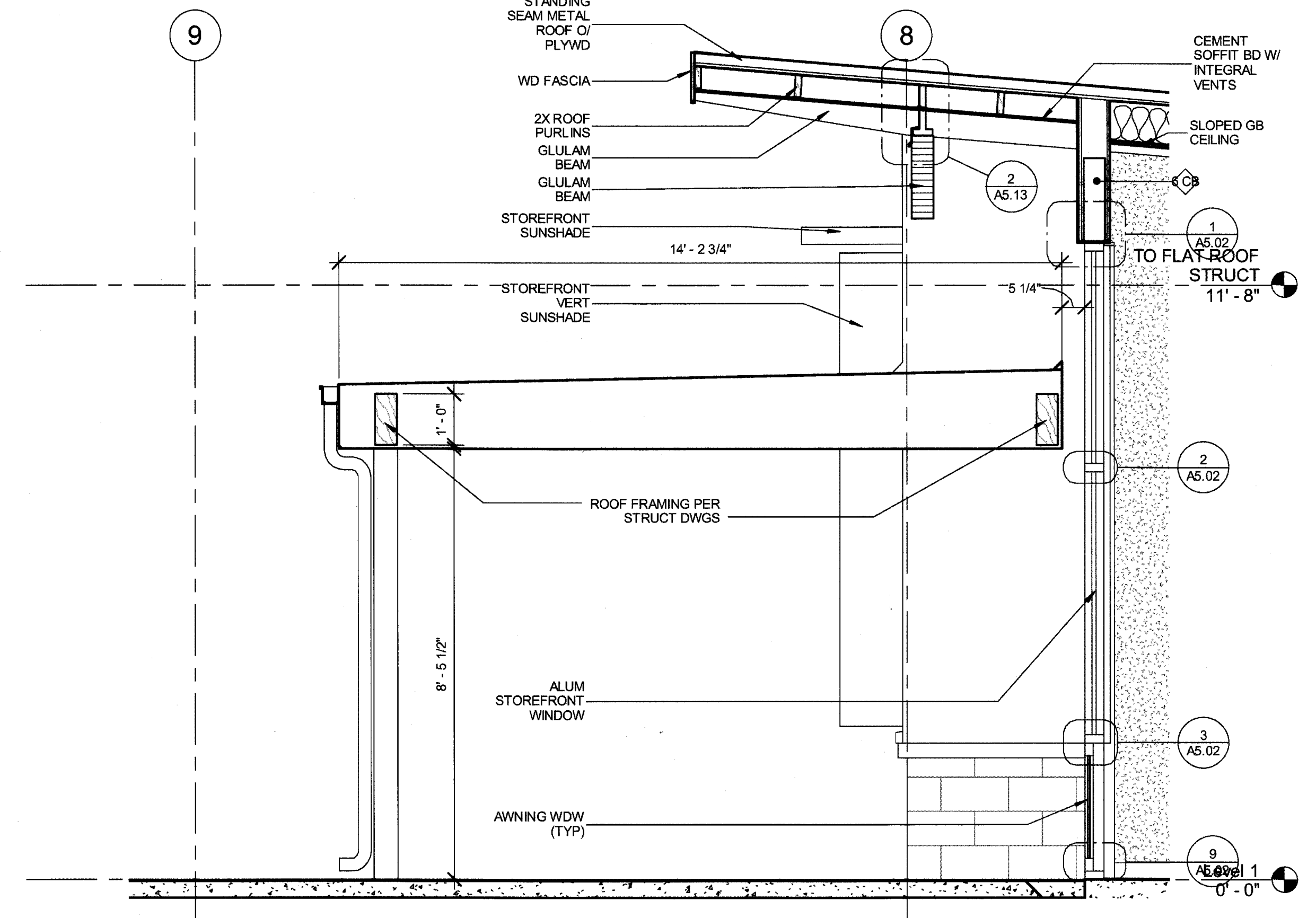
3 Callout (3) of Section 4
1/2" = 1'-0"

2 Callout (2) of Section 4
1/2" = 1'-0"

1 Section 33
1/2" = 1'-0"



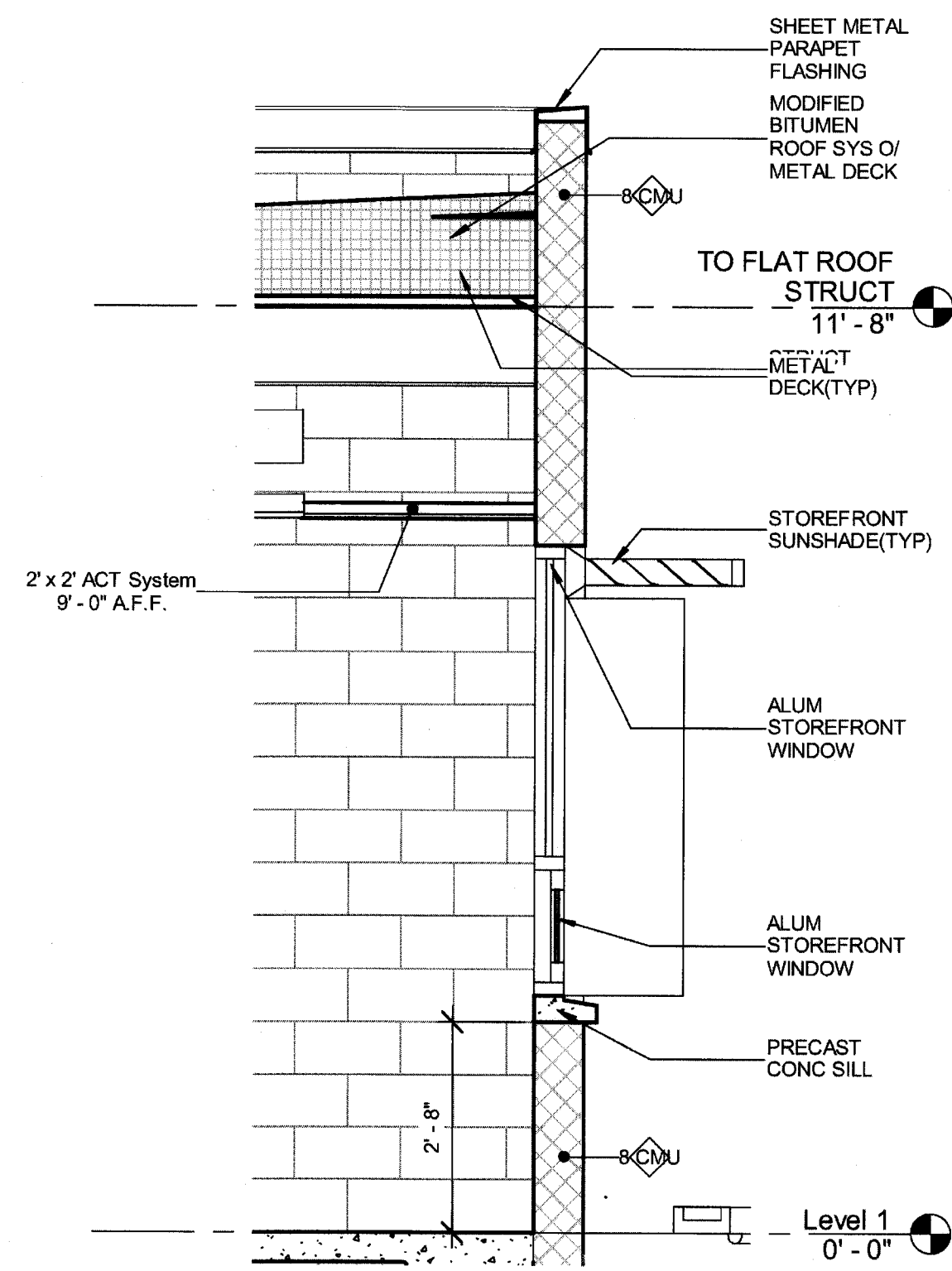
6 Callout (2) of Section 8
1/2" = 1'-0"



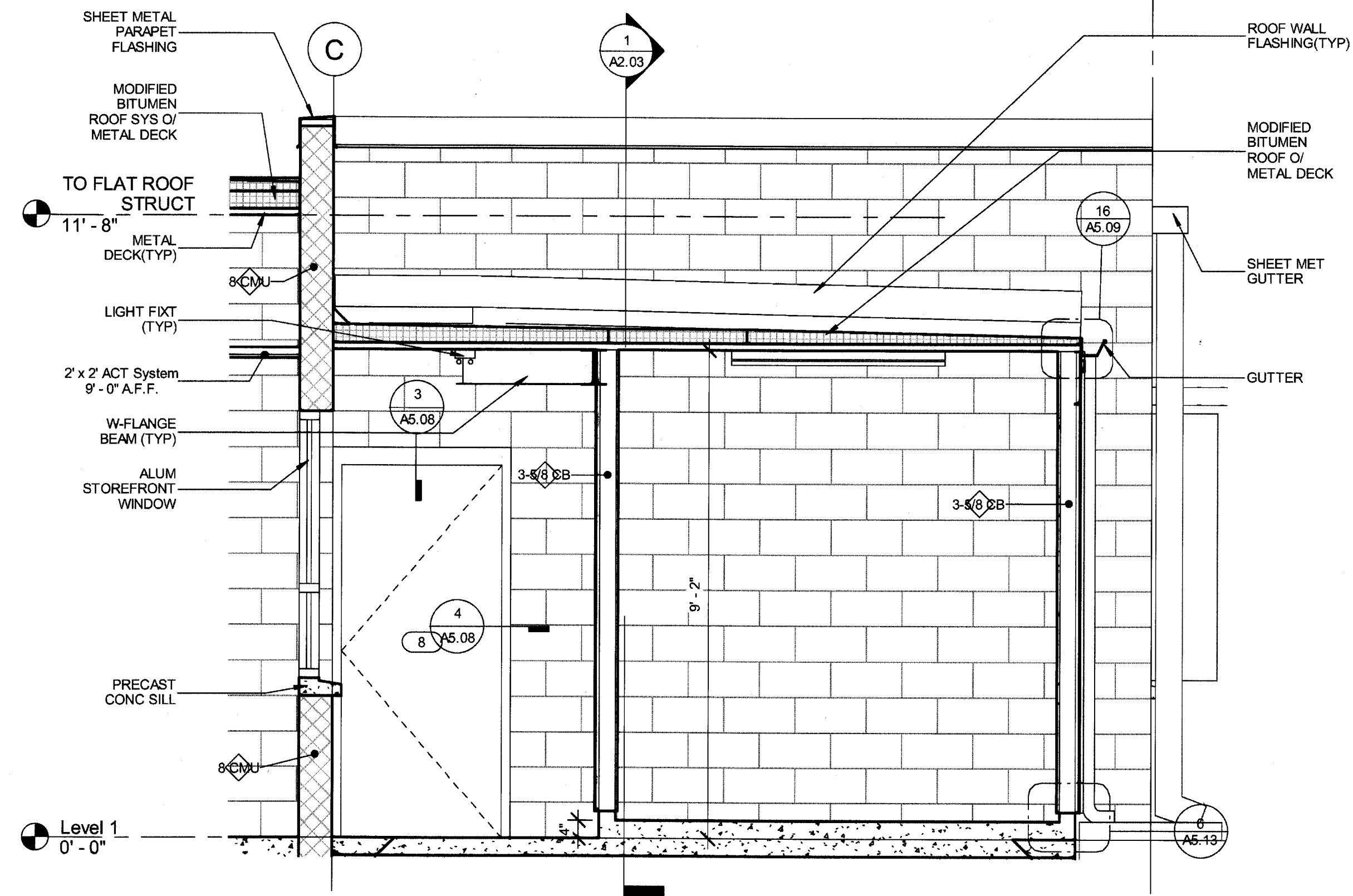
9 Callout of Section 1
1/2" = 1'-0"

REVISION NO.	SYM.	DESCRIPTION	SHT./OF	DATE	APPROVED
STATE OF HAWAII DEPARTMENT OF LAND AND NATURAL RESOURCES ENGINEERING DIVISION MAUI OFFICE ANNEX WAILUKU, MAUI, HAWAII WALL SECTIONS					
DESIGNED:		SUBMITTED:			
DRAWN:		DATE:	03/15/16		
CHECKED:		SCALE:			
APPROVED:		DATE:	MAR 23 2016		DRAWING NO. A2.04
		THIS WORK WAS PREPARED BY ME OR UNDER MY SUPERVISION AND CONSTRUCTION OF THIS PROJECT WILL BE UNDER MY OBSERVATION.			

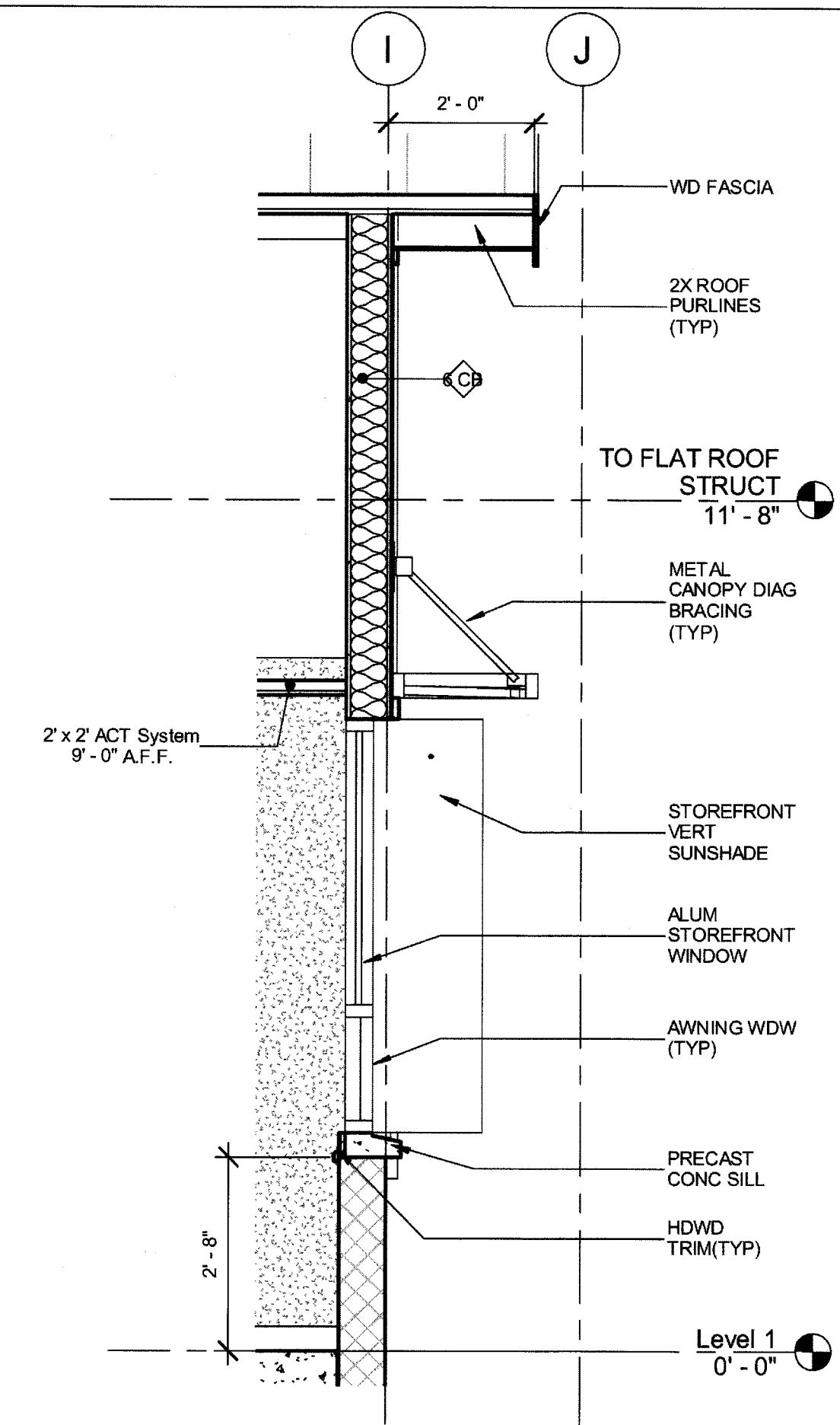
3/15/2016 9:46:03 AM



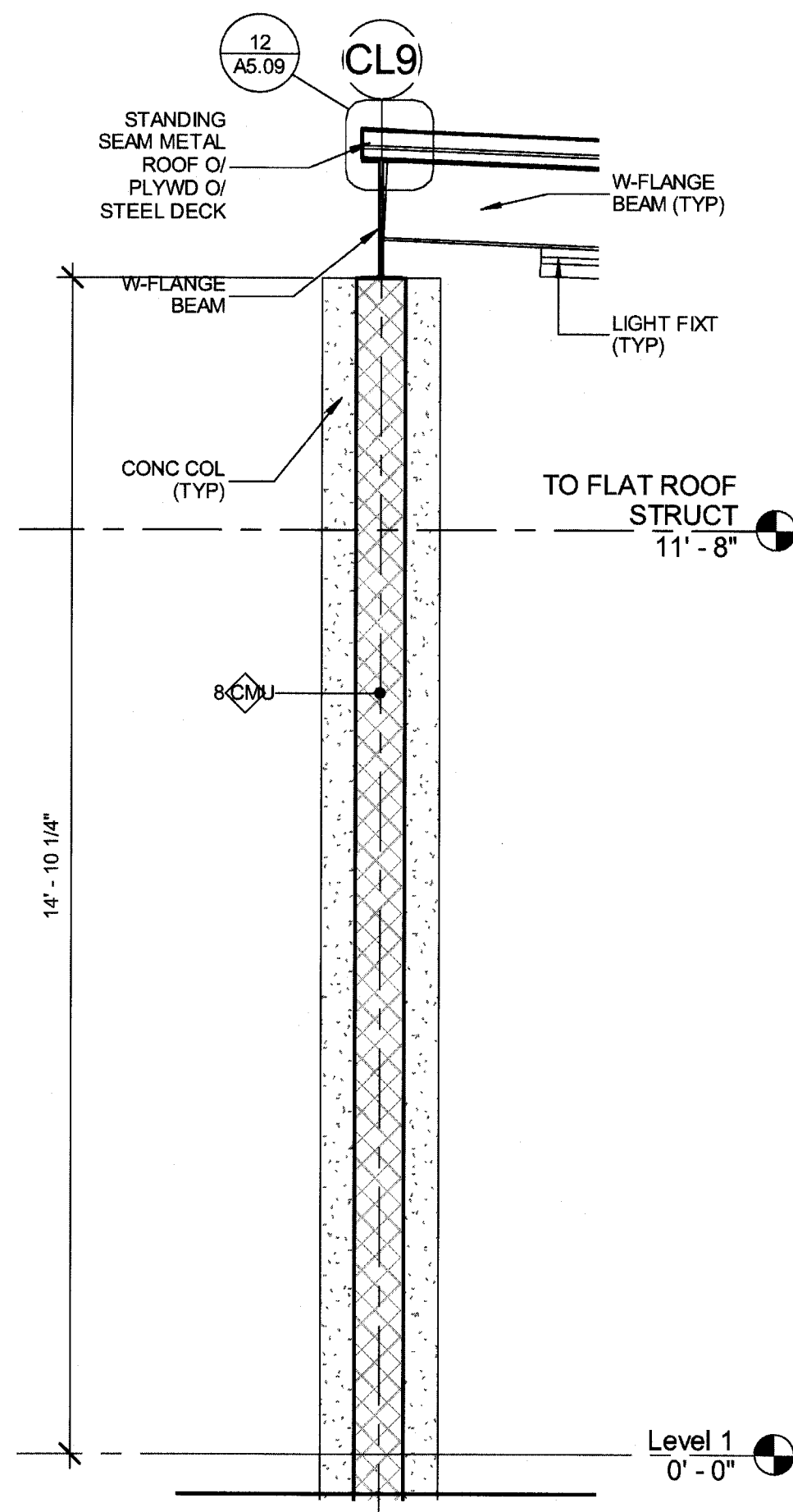
3 Callout of Section 8
1/2" = 1'-0"



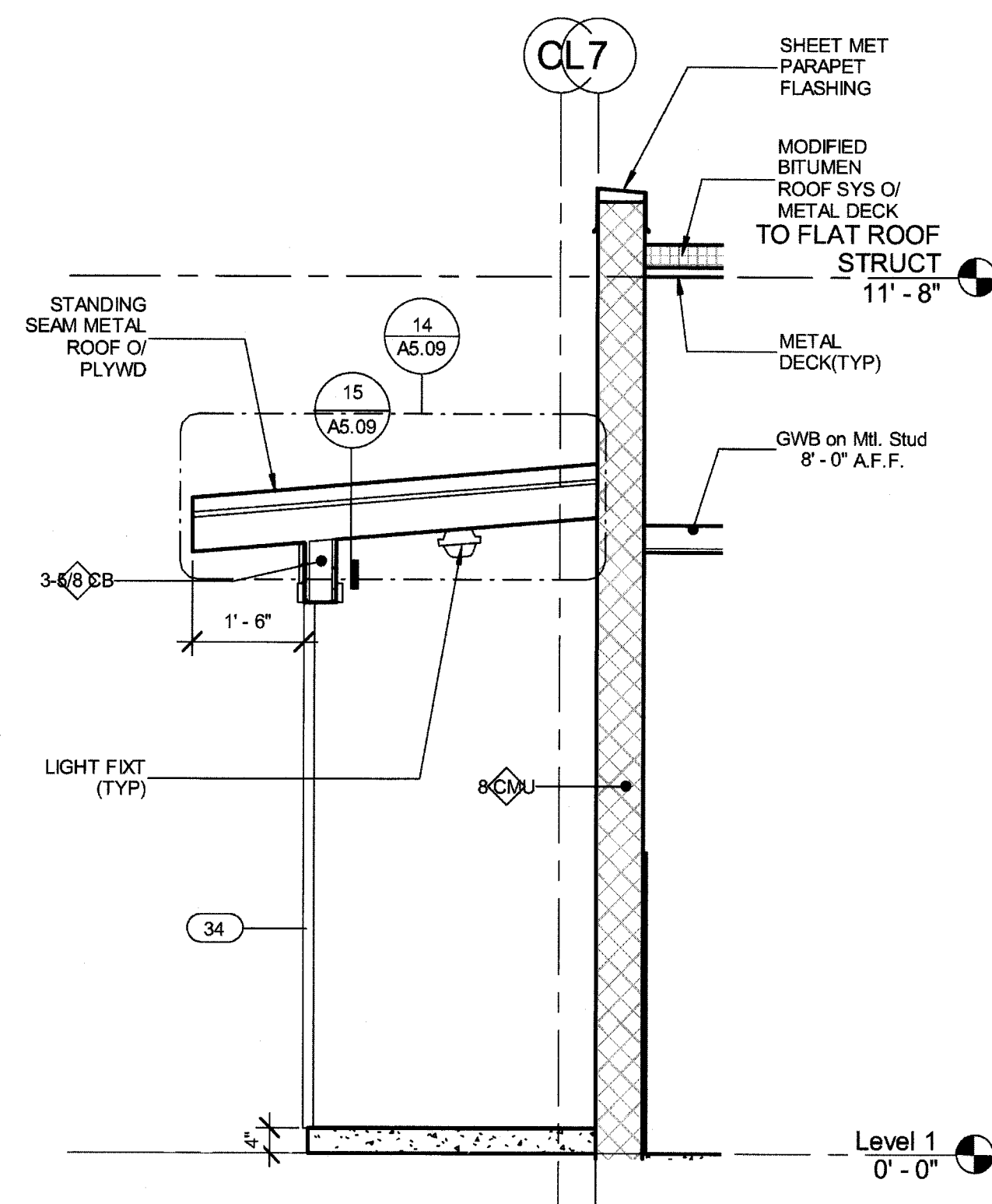
2 Section 35
1/2" = 1'-0"



1 Callout of Section 2
1/2" = 1'-0"

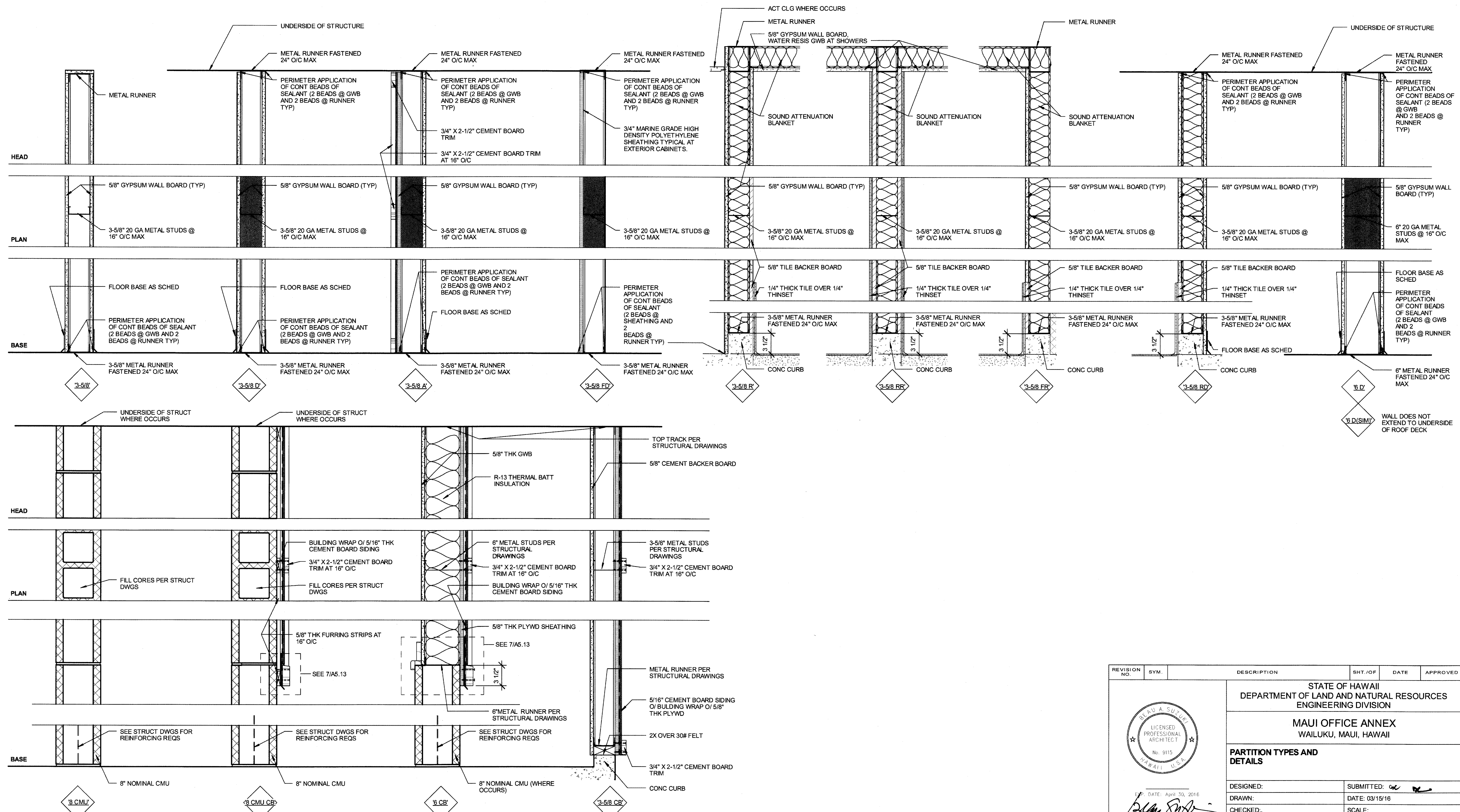


5 Callout of BOAT CAR PORT
1/2" = 1'-0"

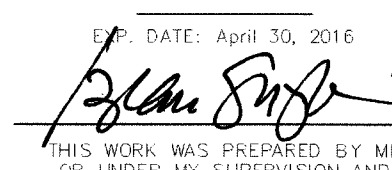


4 Section 34
1/2" = 1'-0"

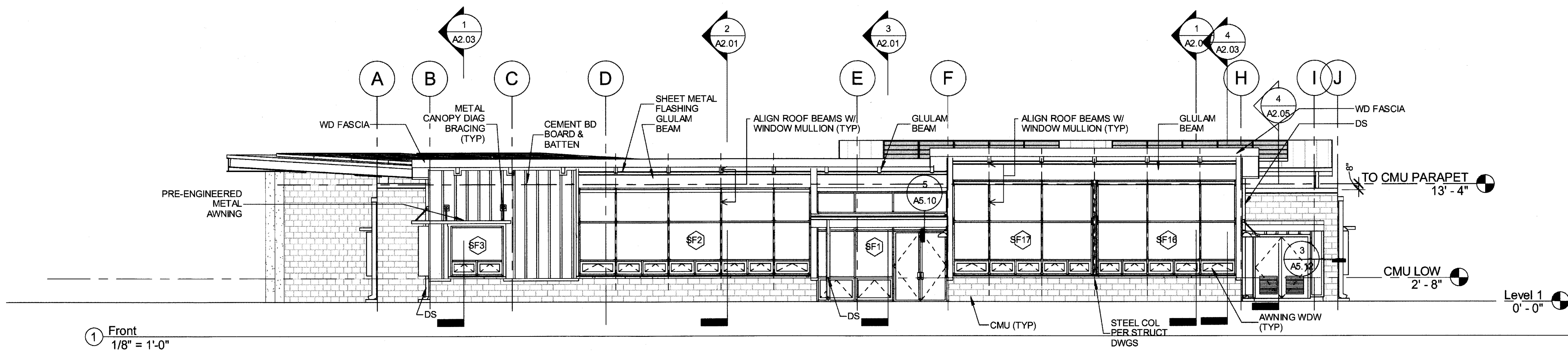
REVISION NO.	SYM.	DESCRIPTION	SHT./OF	DATE	APPROVED
STATE OF HAWAII DEPARTMENT OF LAND AND NATURAL RESOURCES ENGINEERING DIVISION					
MAUI OFFICE ANNEX WAILUKU, MAUI, HAWAII					
WALL SECTIONS					
DESIGNED:			SUBMITTED:	gc	
DRAWN:			DATE:	03/15/16	
CHECKED:			SCALE:		
APPROVED:	<i>[Signature]</i>		CHIEF ENGINEER	MAR 23 2016	DATE
DRAWING NO.					A2.05



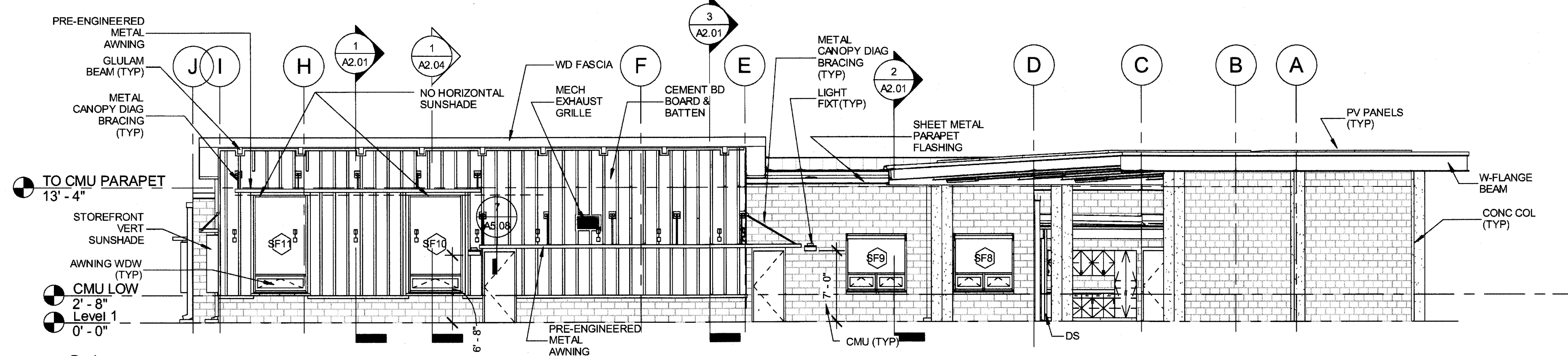
WALL TYPE
1 1/2" = 1'-0"

REVISION NO.	SYM.	DESCRIPTION	SHT./OF	DATE	APPROVED
STATE OF HAWAII DEPARTMENT OF LAND AND NATURAL RESOURCES ENGINEERING DIVISION MAUI OFFICE ANNEX WAILUKU, MAUI, HAWAII					
PARTITION TYPES AND DETAILS					
DESIGNED:			SUBMITTED:	OC	
DRAWN:			DATE:	03/15/16	
CHECKED:			SCALE:		
APPROVED:	 CHIEF ENGINEER		DATE:	MAR 23 2016	
					DRAWING NO. A2.06

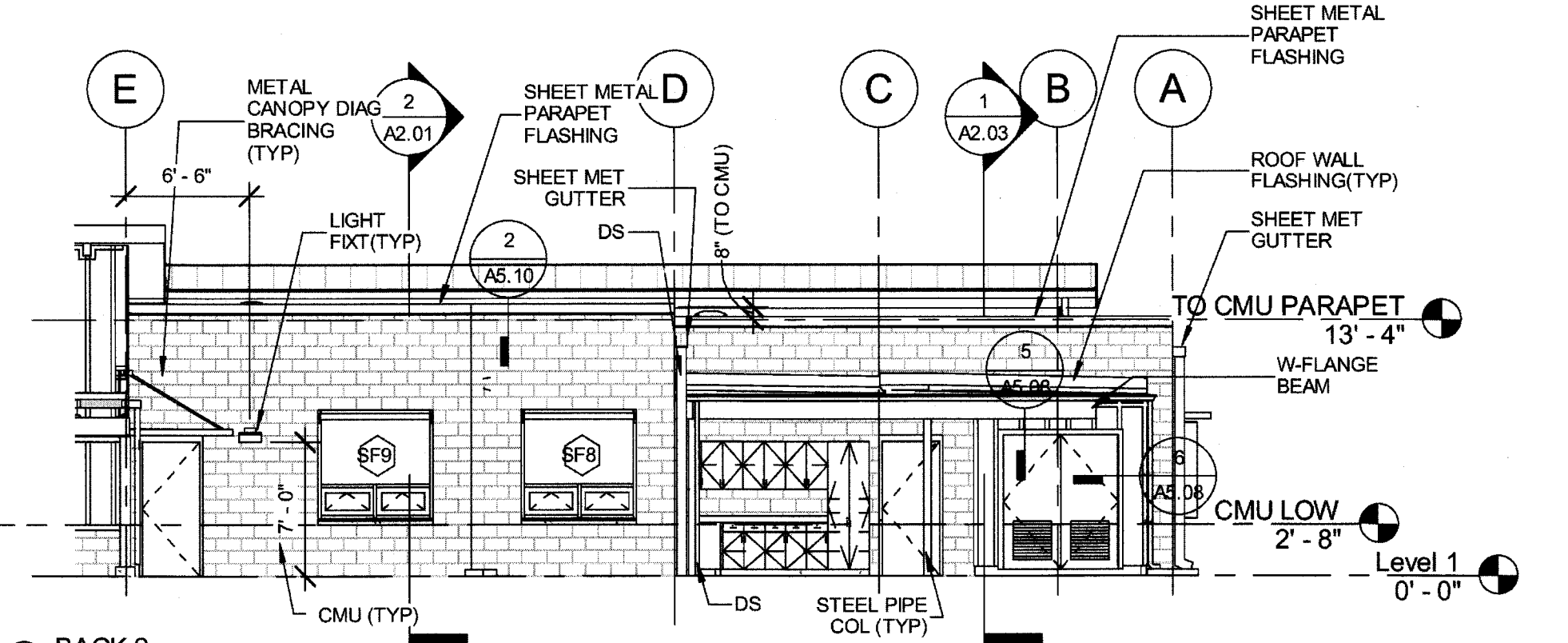
3/15/2016 9:48:05 AM



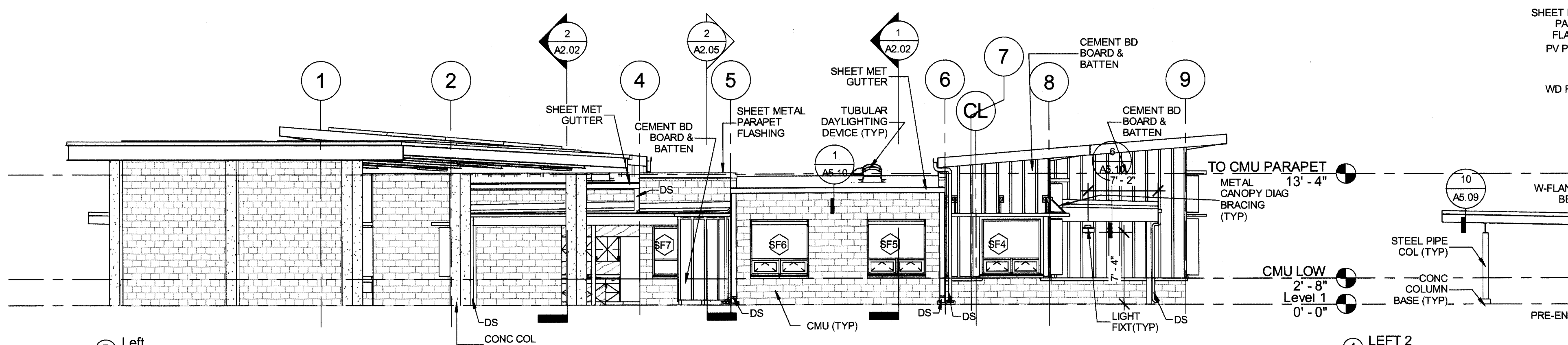
1 Front
1/8" = 1'-0"



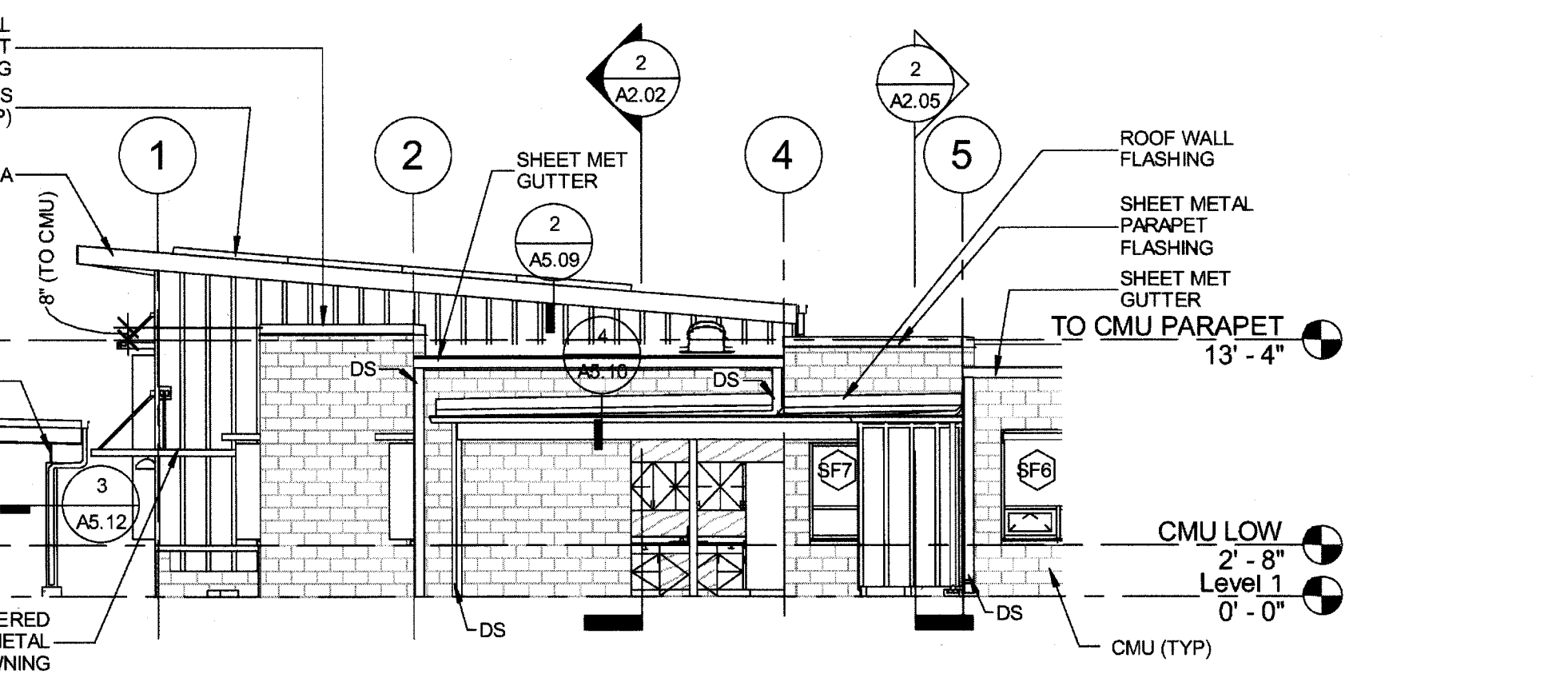
3 Back
1/8" = 1'-0"



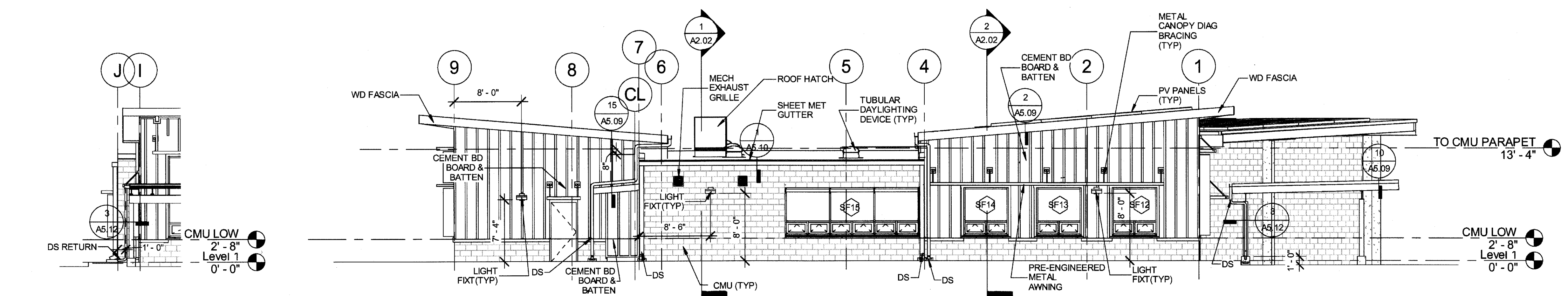
2 BACK 2
1/8" = 1'-0"



5 Left
1/8" = 1'-0"



4 LEFT 2
1/8" = 1'-0"



6 Right
1/8" = 1'-0"



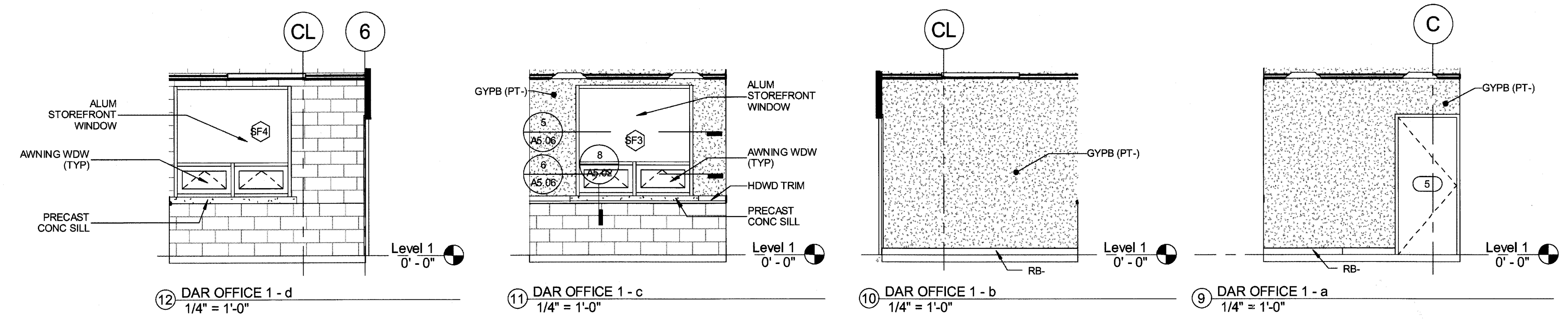
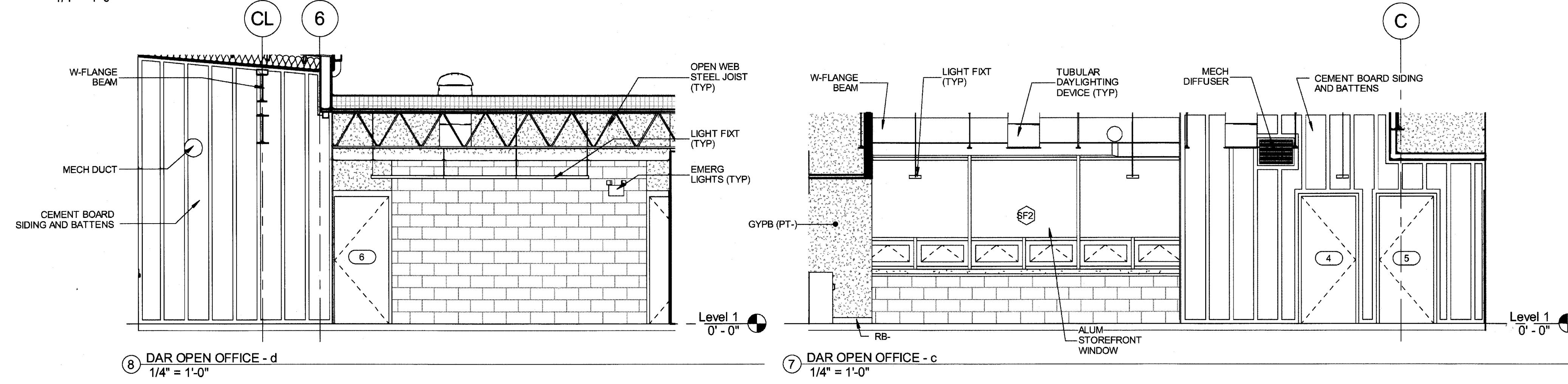
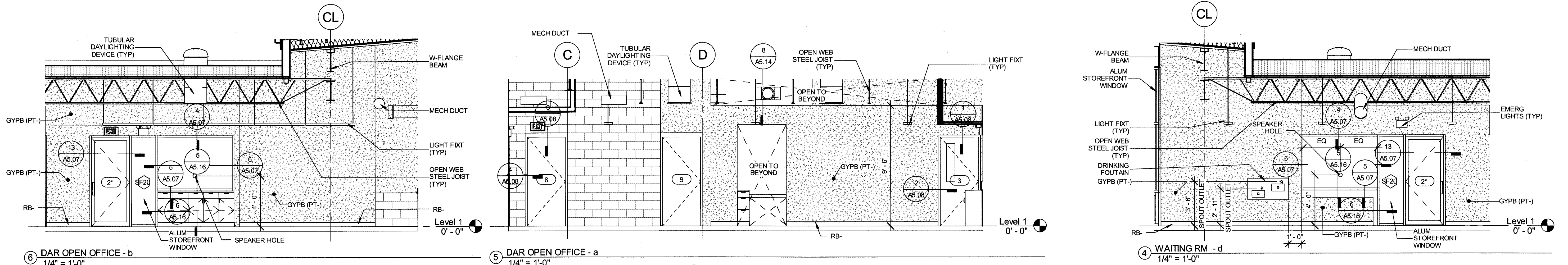
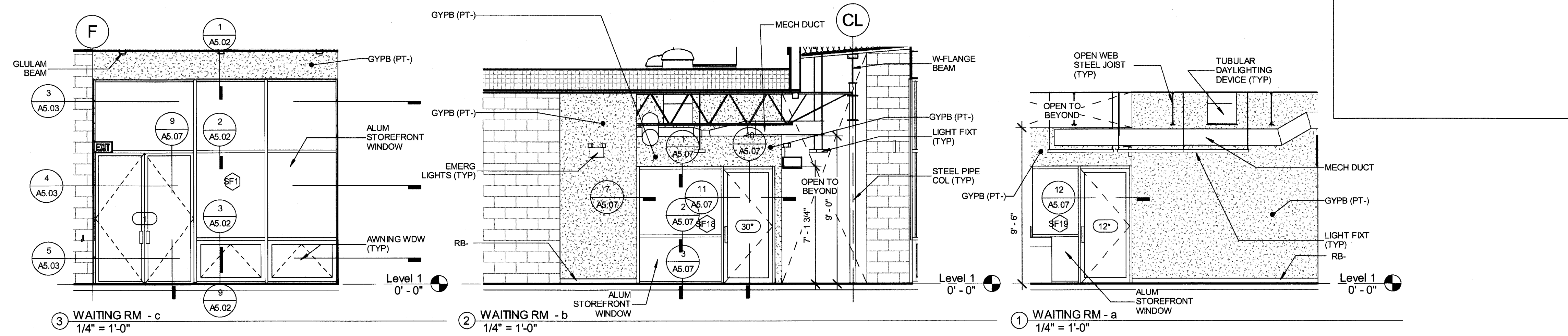
7 GUTTER RETURN
1/8" = 1'-0"

REVISION NO.	SYM.	DESCRIPTION	SHT./OF	DATE	APPROVED
STATE OF HAWAII DEPARTMENT OF LAND AND NATURAL RESOURCES ENGINEERING DIVISION MAUI OFFICE ANNEX WAILUKU, MAUI, HAWAII EXTERIOR ELEVATIONS					
DESIGNED:	SUBMITTED: <i>GW</i>				
DRAWN:	DATE: 03/15/16				
CHECKED:	SCALE:				
APPROVED:	DRAWING NO. A4.01				
CHIEF ENGINEER <i>[Signature]</i> DATE: MAR 23 2016					

3/15/2016 9:48:10 AM

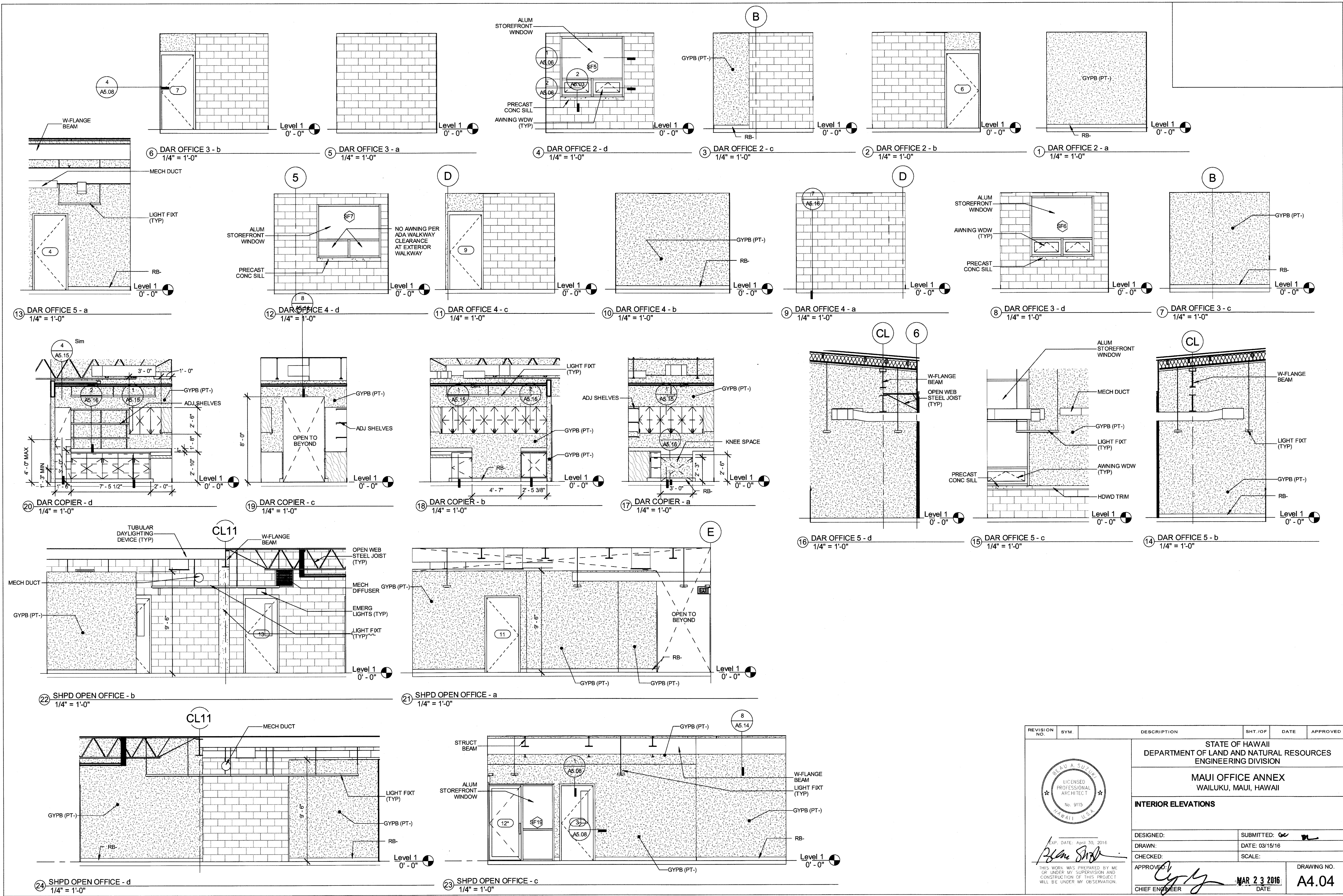
INTERIOR COMMON ELEMENTS PAINT/FINISH SCHEDULE:

OPEN WEB STEEL JOIST: PTD-
 INTERIOR STEEL COLUMNS: PTD-
 INTERIOR W-FLANGE BEAMS: PTD-
 EXPOSED MECH DUCTS: PTD-
 EXPOSED STEEL DECK: PTD-
 GLULAM BEAMS: CLEAR FINISH
 CMU: CLEAR FINISH
 STEEL DOOR FRAMES: PTD-



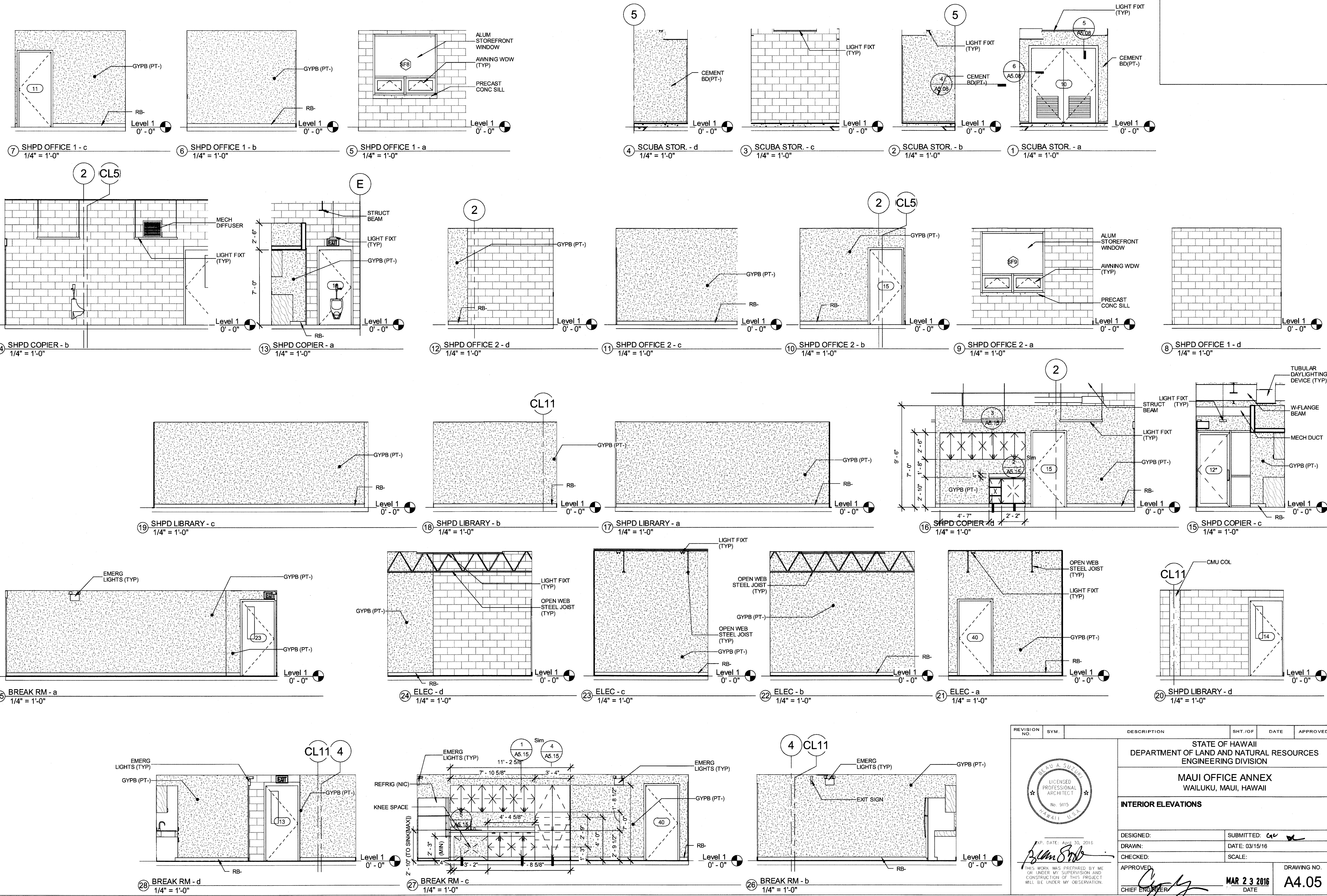
REVISION NO.	SYM.	DESCRIPTION	SHT./OF	DATE	APPROVED
STATE OF HAWAII DEPARTMENT OF LAND AND NATURAL RESOURCES ENGINEERING DIVISION					
MAUI OFFICE ANNEX WAILUKU, MAUI, HAWAII					
INTERIOR ELEVATIONS					
DESIGNED:			SUBMITTED:		
DRAWN:			DATE:	03/15/16	
CHECKED:			SCALE:		
APPROVED:			DRAWING NO. A4.03		
			EXP. DATE: April 30, 2016 THIS WORK WAS PREPARED BY ME OR UNDER MY SUPERVISION AND CONSTRUCTION OF THIS PROJECT WILL BE UNDER MY OBSERVATION. CHIEF ENGINEER		
DATE: MAR 23 2016			DATE:		

3/15/2016 9:48:14 AM



REVISION NO.	SYM.	DESCRIPTION	SHT./OF	DATE	APPROVED
STATE OF HAWAII DEPARTMENT OF LAND AND NATURAL RESOURCES ENGINEERING DIVISION MAUI OFFICE ANNEX WAILUKU, MAUI, HAWAII INTERIOR ELEVATIONS					
DESIGNED:			SUBMITTED: <i>CS</i>		
DRAWN:			DATE: 03/15/16		
CHECKED:			SCALE:		
APPROVED: <i>[Signature]</i>			DATE: MAR 23 2016		DRAWING NO. A4.04
CHIEF ENGINEER					

3/15/2016 9:45:19 AM



7 SHPD OFFICE 1 - c 1/4" = 1'-0" 6 SHPD OFFICE 1 - b 1/4" = 1'-0" 5 SHPD OFFICE 1 - a 1/4" = 1'-0" 4 SCUBA STOR. - d 1/4" = 1'-0" 3 SCUBA STOR. - c 1/4" = 1'-0" 2 SCUBA STOR. - b 1/4" = 1'-0" 1 SCUBA STOR. - a 1/4" = 1'-0"

14 SHPD COPIER - b 1/4" = 1'-0" 13 SHPD COPIER - a 1/4" = 1'-0" 12 SHPD OFFICE 2 - d 1/4" = 1'-0" 11 SHPD OFFICE 2 - c 1/4" = 1'-0" 10 SHPD OFFICE 2 - b 1/4" = 1'-0" 9 SHPD OFFICE 2 - a 1/4" = 1'-0" 8 SHPD OFFICE 1 - d 1/4" = 1'-0"

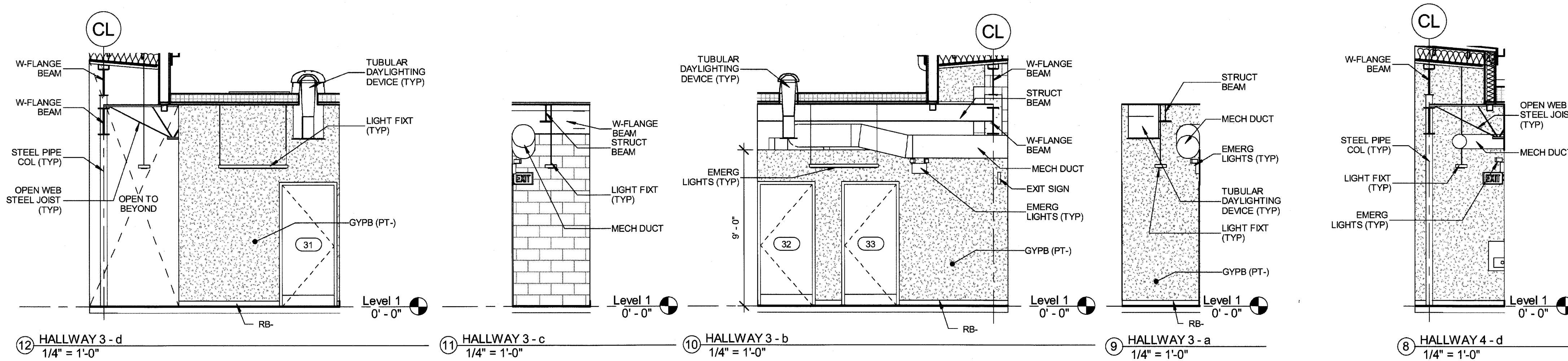
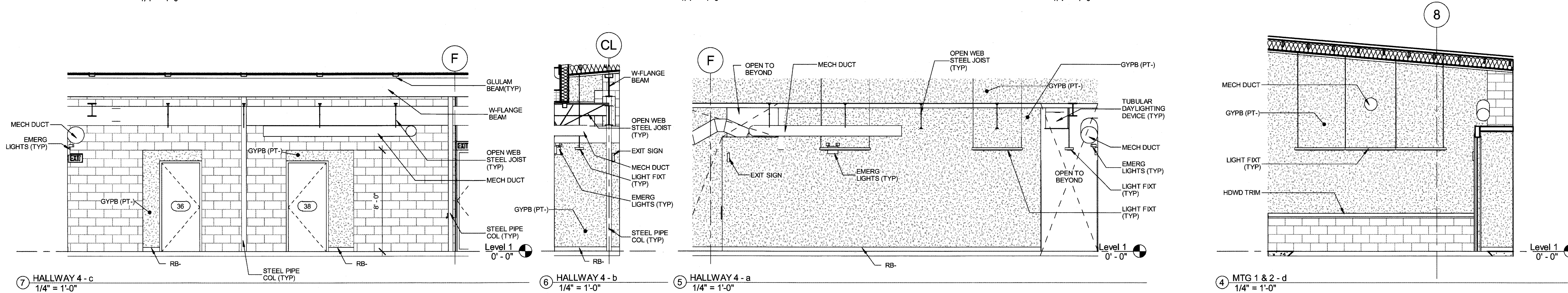
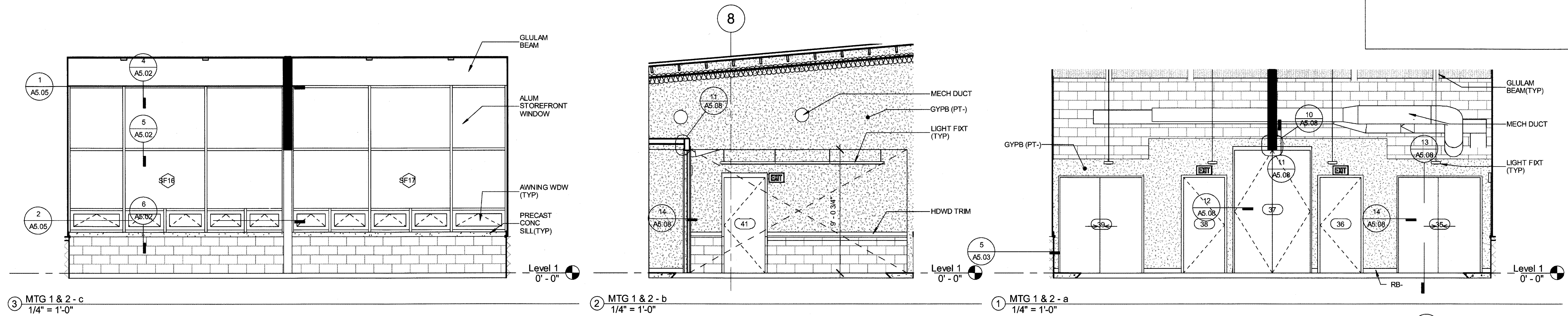
19 SHPD LIBRARY - c 1/4" = 1'-0" 18 SHPD LIBRARY - b 1/4" = 1'-0" 17 SHPD LIBRARY - a 1/4" = 1'-0" 16 SHPD COPIER - d 1/4" = 1'-0" 15 SHPD COPIER - c 1/4" = 1'-0"

25 BREAK RM - a 1/4" = 1'-0" 24 ELEC - d 1/4" = 1'-0" 23 ELEC - c 1/4" = 1'-0" 22 ELEC - b 1/4" = 1'-0" 21 ELEC - a 1/4" = 1'-0" 20 SHPD LIBRARY - d 1/4" = 1'-0"

28 BREAK RM - d 1/4" = 1'-0" 27 BREAK RM - c 1/4" = 1'-0" 26 BREAK RM - b 1/4" = 1'-0"

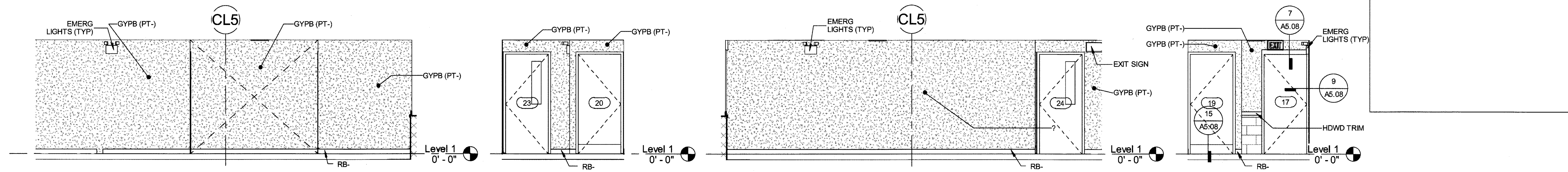
REVISION NO.	SYM.	DESCRIPTION	SHT./OF	DATE	APPROVED
STATE OF HAWAII DEPARTMENT OF LAND AND NATURAL RESOURCES ENGINEERING DIVISION MAUI OFFICE ANNEX WAILUKU, MAUI, HAWAII INTERIOR ELEVATIONS					
DESIGNED:	SUBMITTED: <i>GC</i>				
DRAWN:	DATE: 03/15/16				
CHECKED:	SCALE:				
APPROVED:	DATE: MAR 23 2016		DRAWING NO. A4.05		
CHIEF ENGINEER: <i>[Signature]</i>					

3/15/2016 9:46:24 AM

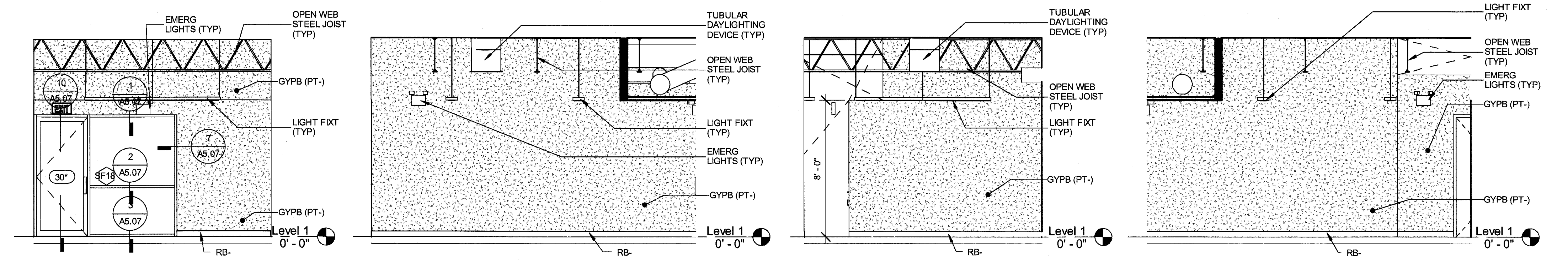


REVISION NO.	SYM.	DESCRIPTION	SHT./OF	DATE	APPROVED
STATE OF HAWAII DEPARTMENT OF LAND AND NATURAL RESOURCES ENGINEERING DIVISION					
MAUI OFFICE ANNEX WAILUKU, MAUI, HAWAII					
INTERIOR ELEVATIONS					
DESIGNED:			SUBMITTED: <i>GP</i>		
DRAWN:			DATE: 03/15/16		
CHECKED:			SCALE:		
APPROVED: <i>Blair S. Suter</i> CHIEF ENGINEER			DATE: MAR 23 2016		DRAWING NO. A4.06

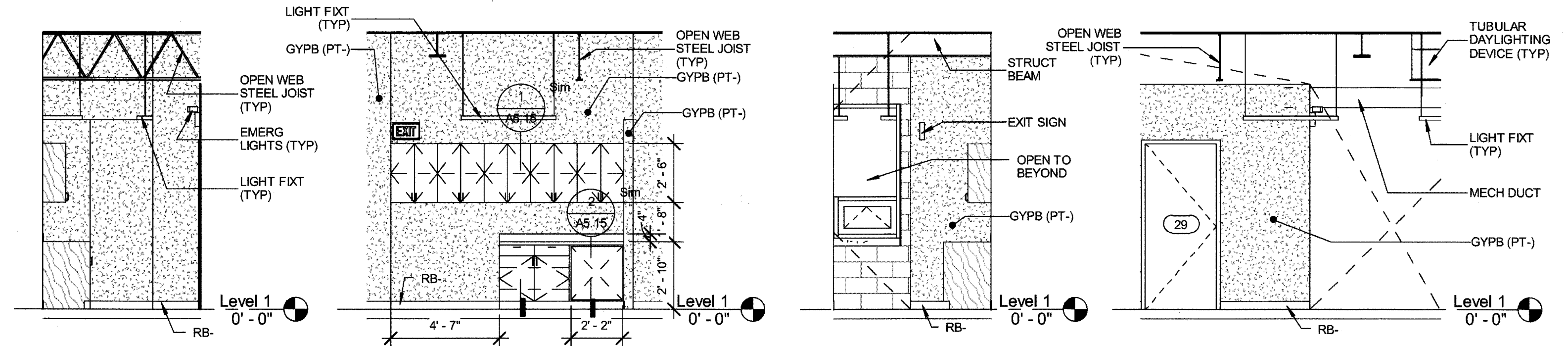
3/15/2016 9:49:28 AM



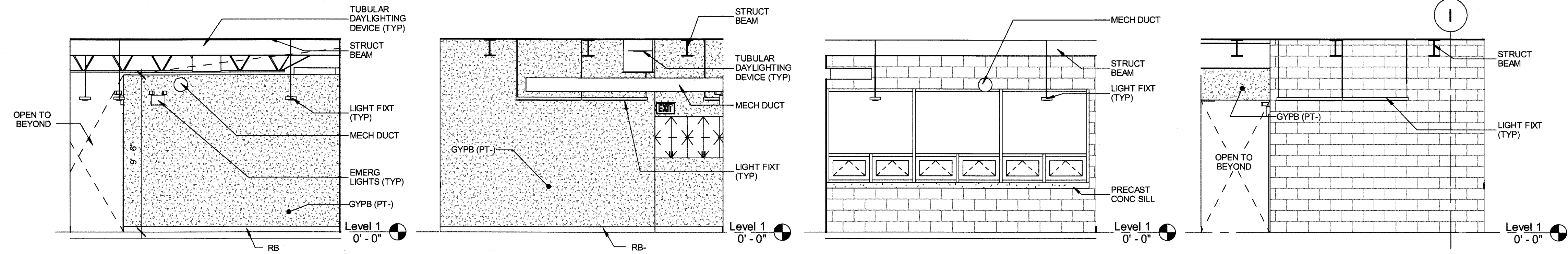
④ HALLWAY 1 - d
1/4" = 1'-0"
③ HALLWAY 1 - c
1/4" = 1'-0"
② HALLWAY 1 - b
1/4" = 1'-0"
① HALLWAY 1 - a
1/4" = 1'-0"



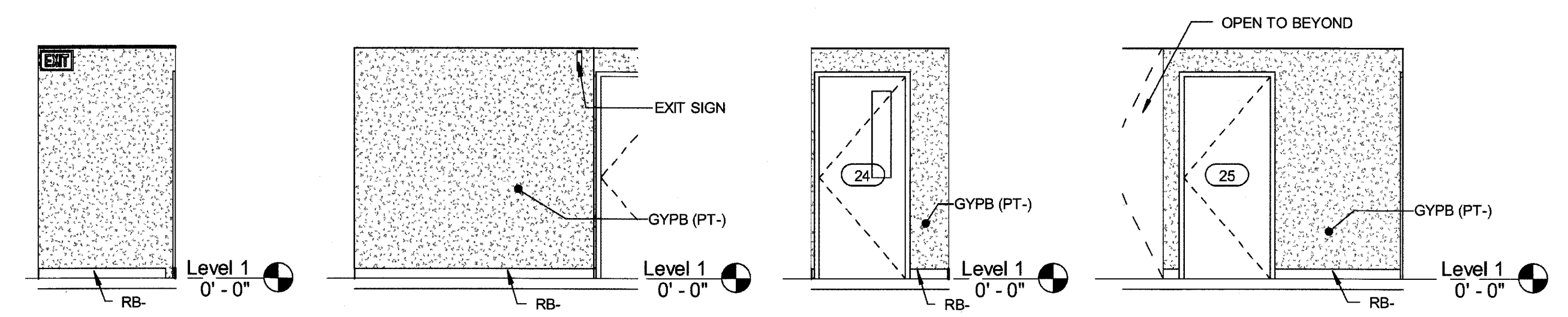
⑧ LAND RECEP - d
1/4" = 1'-0"
⑦ LAND RECEP - c
1/4" = 1'-0"
⑥ LAND RECEP - b
1/4" = 1'-0"
⑤ LAND RECEP - a
1/4" = 1'-0"



⑫ LAND COPIER - d
1/4" = 1'-0"
⑪ LAND COPIER - c
1/4" = 1'-0"
⑩ LAND COPIER - b
1/4" = 1'-0"
⑨ LAND COPIER - a
1/4" = 1'-0"



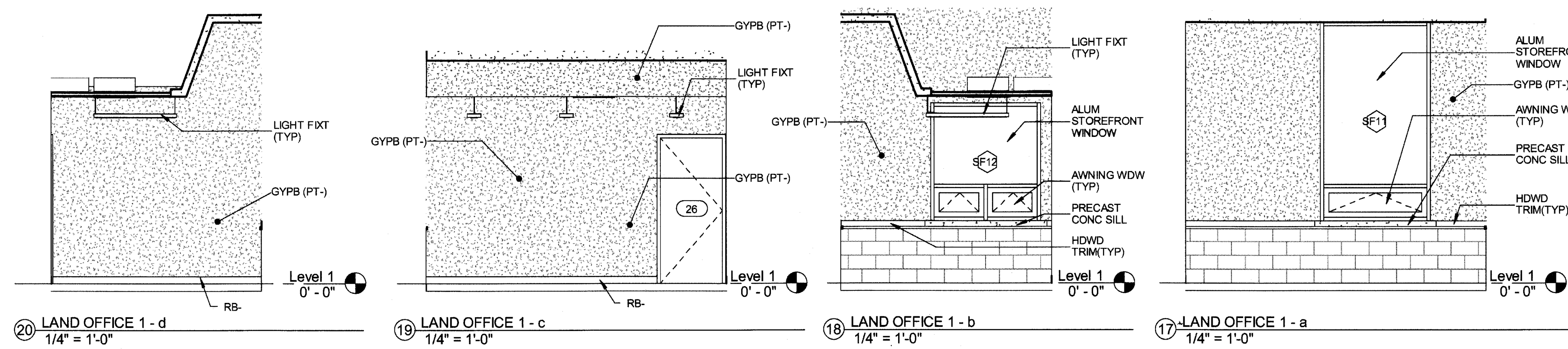
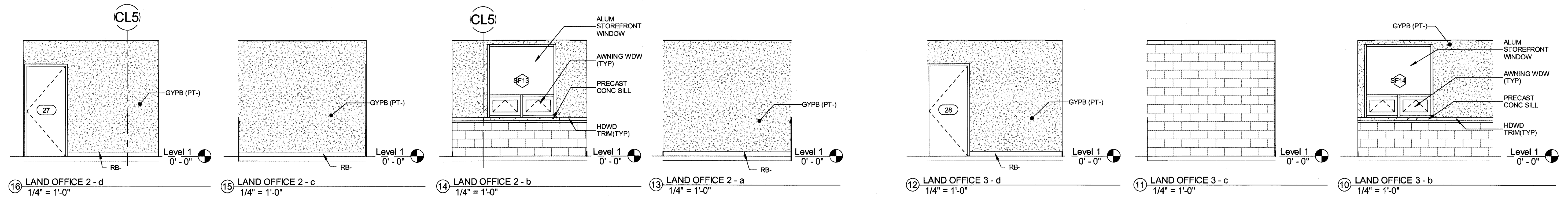
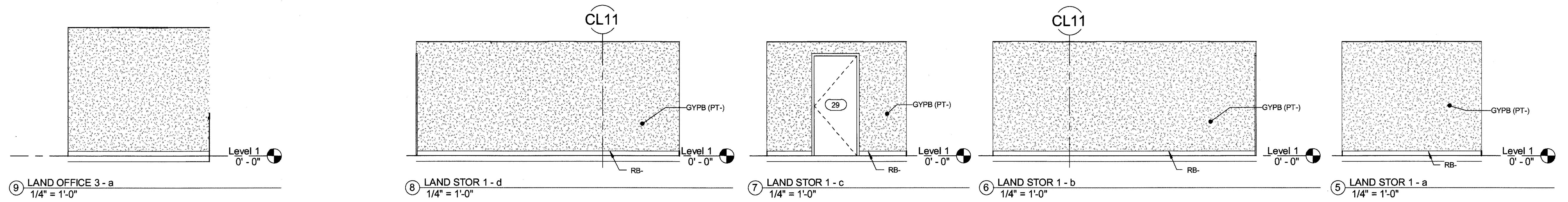
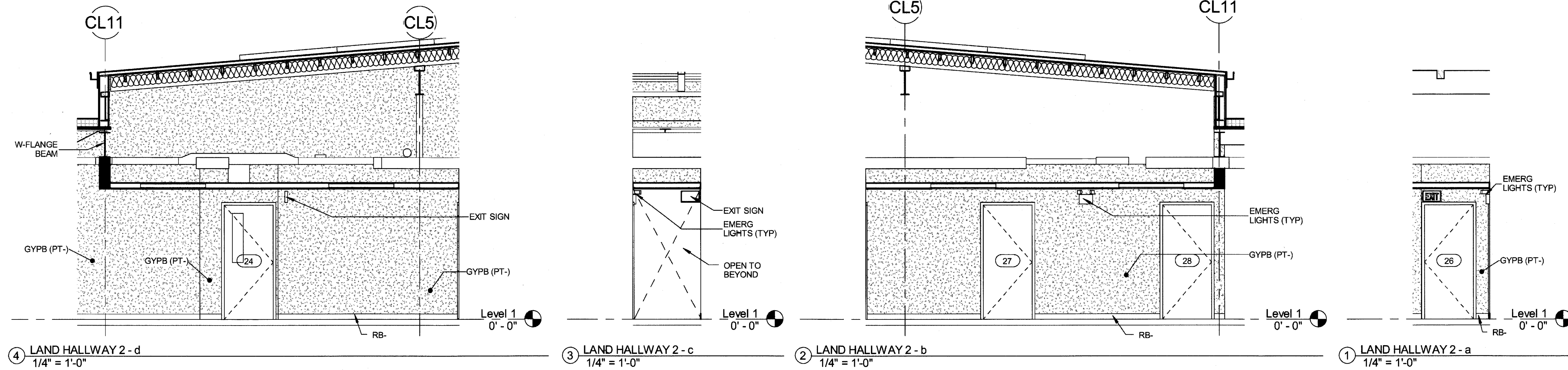
⑮ LAND OPEN OFFICE - d
1/4" = 1'-0"
⑭ LAND OPEN OFFICE - c
1/4" = 1'-0"
⑬ LAND OPEN OFFICE - b
1/4" = 1'-0"
⑩ LAND OPEN OFFICE - a
1/4" = 1'-0"



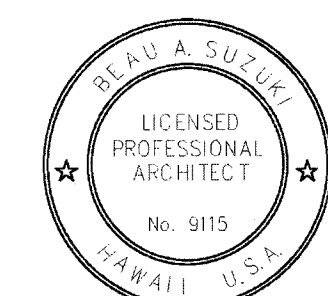
⑳ HALLWAY 2 - d
1/4" = 1'-0"
⑱ HALLWAY 2 - c
1/4" = 1'-0"
⑱ HALLWAY 2 - b
1/4" = 1'-0"
⑰ HALLWAY 2 - a
1/4" = 1'-0"

REVISION NO.	SYM.	DESCRIPTION	SHT./OF	DATE	APPROVED
STATE OF HAWAII DEPARTMENT OF LAND AND NATURAL RESOURCES ENGINEERING DIVISION					
MAUI OFFICE ANNEX WAILUKU, MAUI, HAWAII					
INTERIOR ELEVATIONS					
DESIGNED:		SUBMITTED:		DATE: 03/15/16	
DRAWN:		CHECKED:		SCALE:	
APPROVED:		APPROVED:		DATE: MAR 23 2016	
CHIEF ENGINEER		CHIEF ENGINEER		DRAWING NO. A4.07	

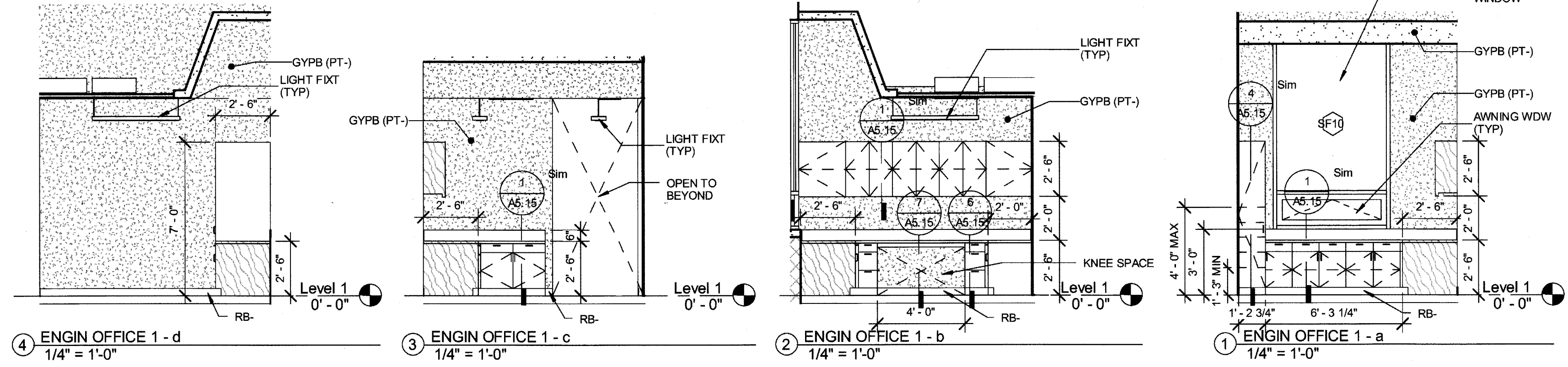
3/15/2016 9:45:32 AM



REVISION NO.	SYM.	DESCRIPTION	SHT./OF	DATE	APPROVED
STATE OF HAWAII DEPARTMENT OF LAND AND NATURAL RESOURCES ENGINEERING DIVISION MAUI OFFICE ANNEX WAILUKU, MAUI, HAWAII INTERIOR ELEVATIONS					
DESIGNED:		SUBMITTED:			
DRAWN:		DATE: 03/15/16			
CHECKED:		SCALE:			
APPROVED:		DATE: MAR 23 2016		DRAWING NO. A4.08	
CHIEF ENGINEER					



EXP. DATE: April 30, 2016
 THIS WORK WAS PREPARED BY ME OR UNDER MY SUPERVISION AND CONSTRUCTION OF THIS PROJECT WILL BE UNDER MY OBSERVATION.

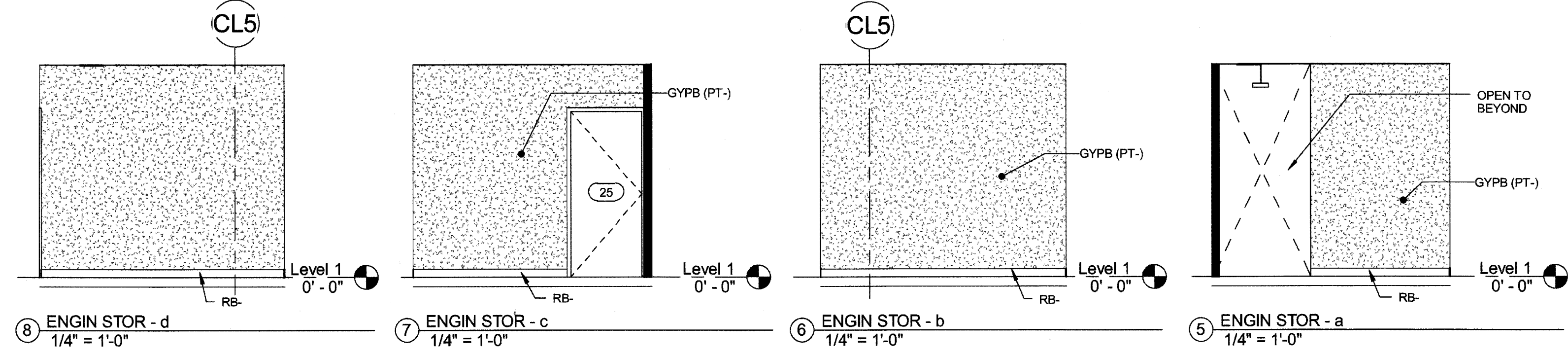


④ ENGIN OFFICE 1 - d
1/4" = 1'-0"

③ ENGIN OFFICE 1 - c
1/4" = 1'-0"

② ENGIN OFFICE 1 - b
1/4" = 1'-0"

① ENGIN OFFICE 1 - a
1/4" = 1'-0"

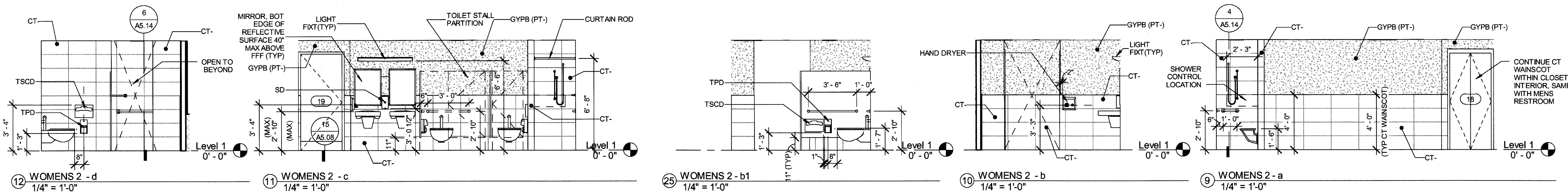


⑧ ENGIN STOR - d
1/4" = 1'-0"

⑦ ENGIN STOR - c
1/4" = 1'-0"

⑥ ENGIN STOR - b
1/4" = 1'-0"

⑤ ENGIN STOR - a
1/4" = 1'-0"

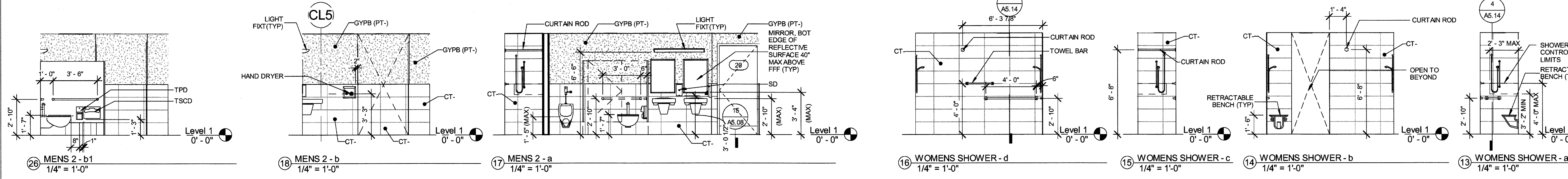


⑨ WOMENS 2 - a
1/4" = 1'-0"

⑩ WOMENS 2 - b
1/4" = 1'-0"

⑪ WOMENS 2 - c
1/4" = 1'-0"

⑫ WOMENS 2 - d
1/4" = 1'-0"



⑬ WOMENS SHOWER - a
1/4" = 1'-0"

⑭ WOMENS SHOWER - b
1/4" = 1'-0"

⑮ WOMENS SHOWER - c
1/4" = 1'-0"

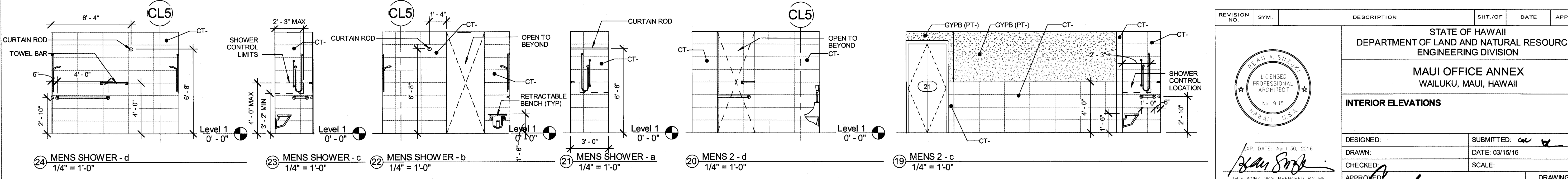
⑯ WOMENS SHOWER - d
1/4" = 1'-0"

⑰ MENS 2 - a
1/4" = 1'-0"

⑱ MENS 2 - b
1/4" = 1'-0"

⑲ MENS 2 - c
1/4" = 1'-0"

⑲ MENS 2 - d
1/4" = 1'-0"



⑲ MENS 2 - c
1/4" = 1'-0"

⑲ MENS 2 - d
1/4" = 1'-0"

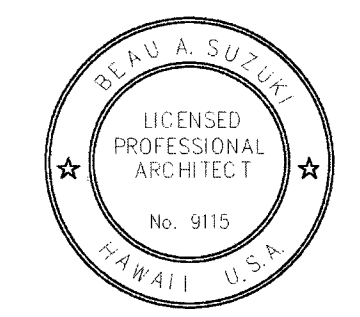
⑲ MENS 2 - a
1/4" = 1'-0"

⑲ MENS 2 - b
1/4" = 1'-0"

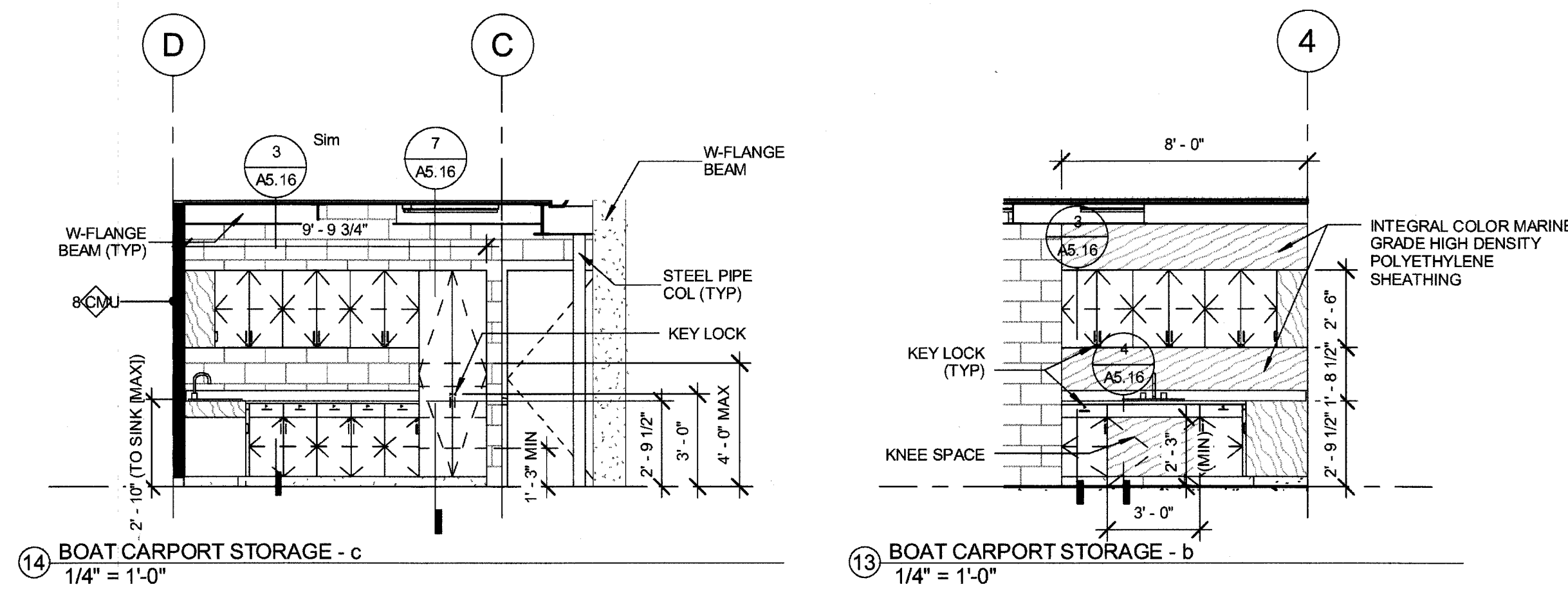
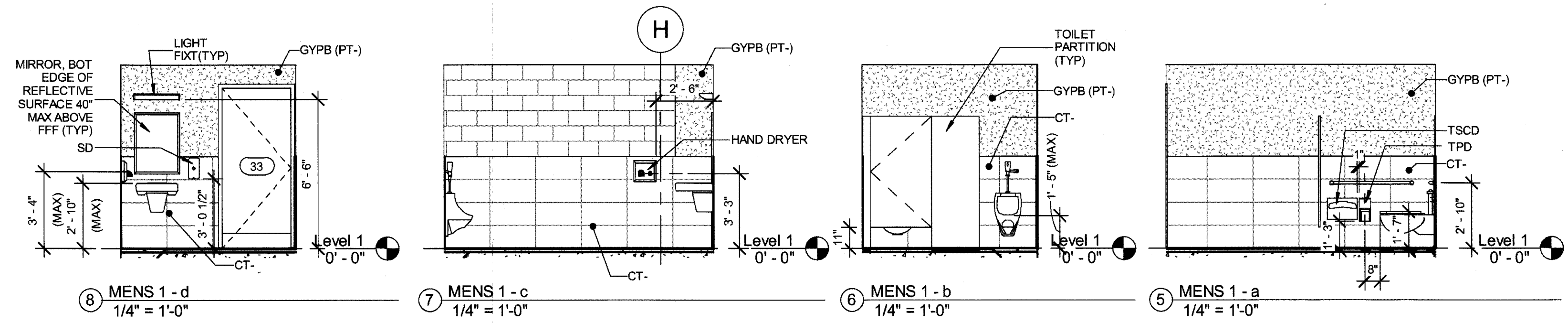
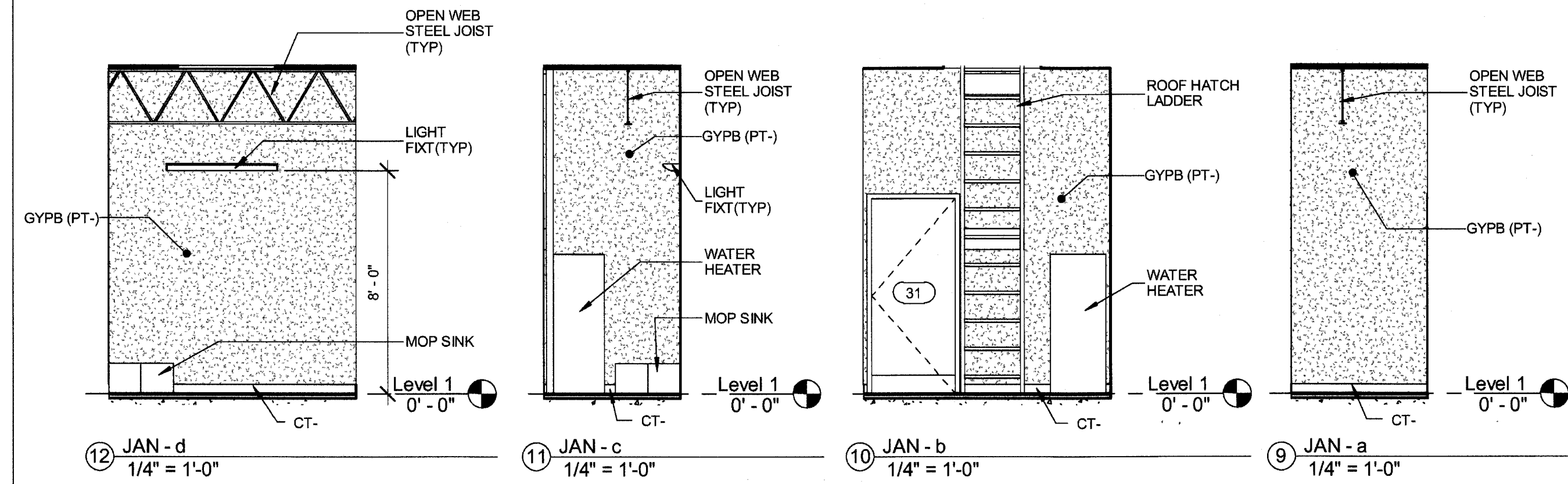
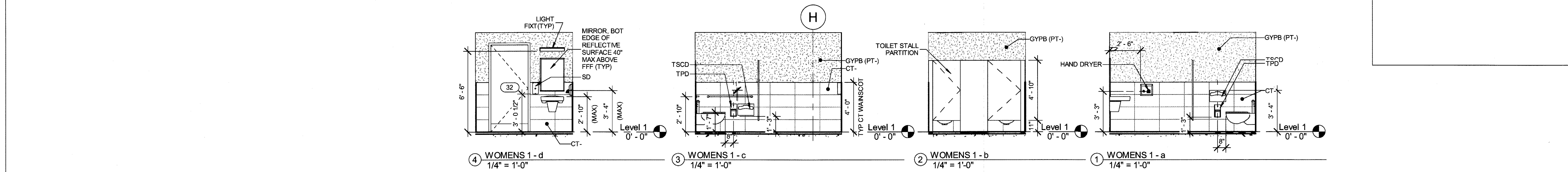
⑲ MENS 2 - c
1/4" = 1'-0"

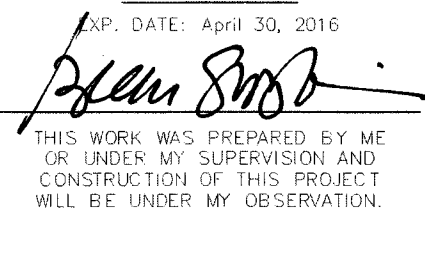
⑲ MENS 2 - d
1/4" = 1'-0"

REVISION NO.	SYM.	DESCRIPTION	SHT./OF	DATE	APPROVED
STATE OF HAWAII DEPARTMENT OF LAND AND NATURAL RESOURCES ENGINEERING DIVISION MAUI OFFICE ANNEX WAILUKI, MAUI, HAWAII INTERIOR ELEVATIONS					
DESIGNED:		SUBMITTED:			
DRAWN:		DATE:		03/15/16	
CHECKED:		SCALE:			
APPROVED:		DATE:		MAR 23 2016	
CHIEF ENGINEER		DATE		A4.09	



DATE: April 30, 2016
 THIS WORK WAS PREPARED BY ME OR UNDER MY SUPERVISION AND CONSTRUCTION OF THIS PROJECT WILL BE UNDER MY OBSERVATION.



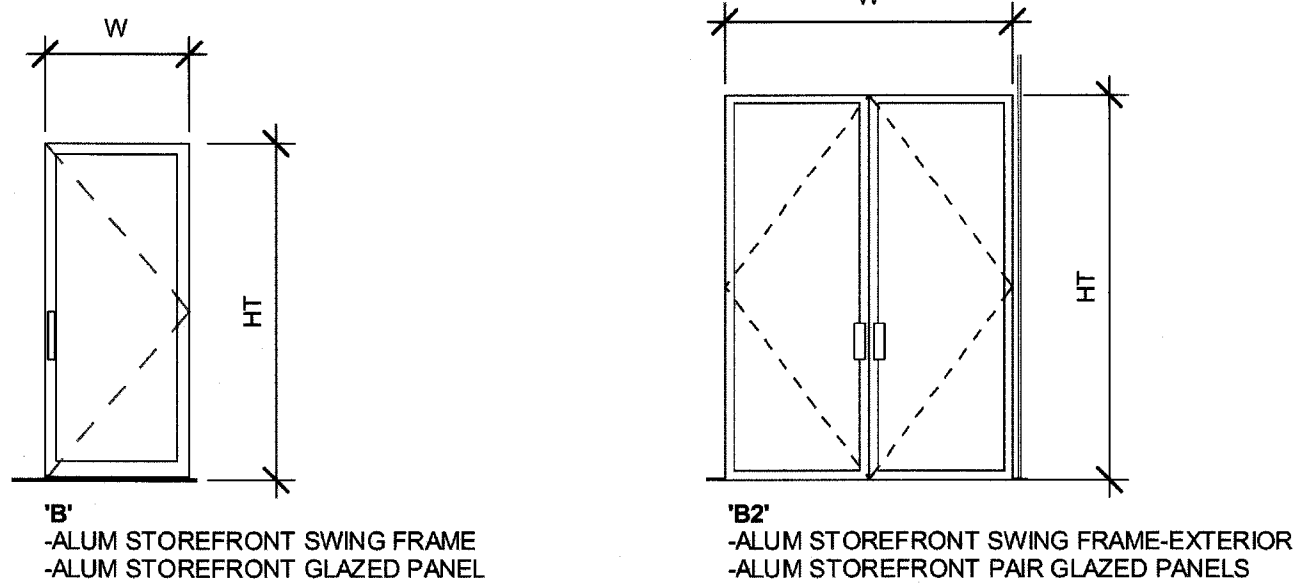
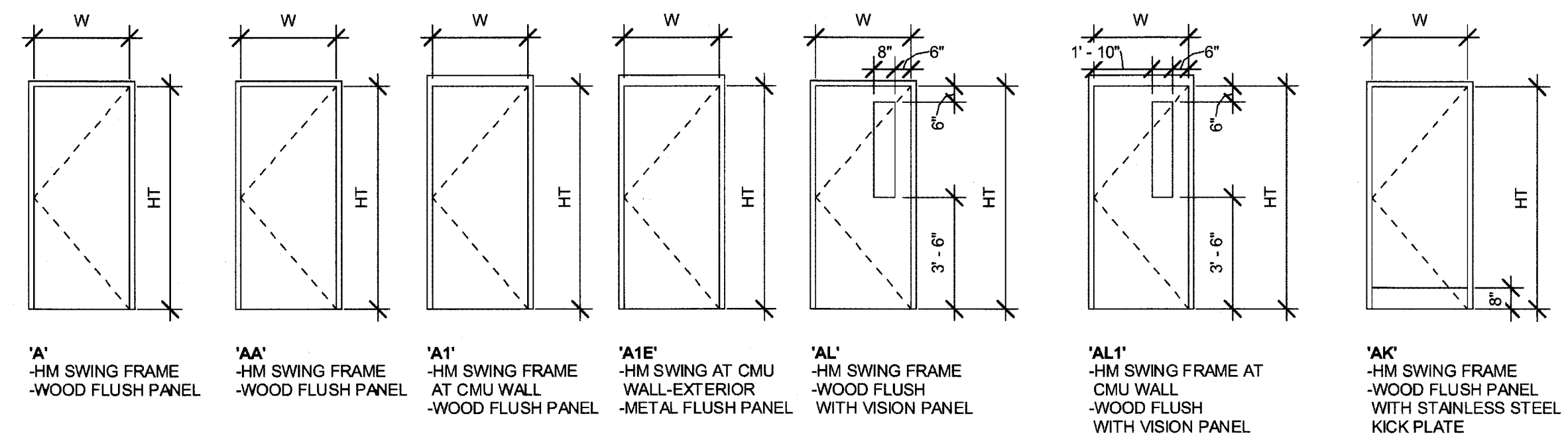
REVISION NO.	SYM.	DESCRIPTION	SHT./OF	DATE	APPROVED
STATE OF HAWAII DEPARTMENT OF LAND AND NATURAL RESOURCES ENGINEERING DIVISION					
MAUI OFFICE ANNEX WAILUKU, MAUI, HAWAII					
INTERIOR ELEVATIONS					
DESIGNED:			SUBMITTED:		
DRAWN:			DATE:	03/15/16	
CHECKED:			SCALE:		
APPROVED:	 CHIEF ENGINEER		DATE:	MAR 23 2016	
					DRAWING NO. A4.10



EXP. DATE: April 30, 2016
 THIS WORK WAS PREPARED BY ME OR UNDER MY SUPERVISION AND CONSTRUCTION OF THIS PROJECT WILL BE UNDER MY OBSERVATION.

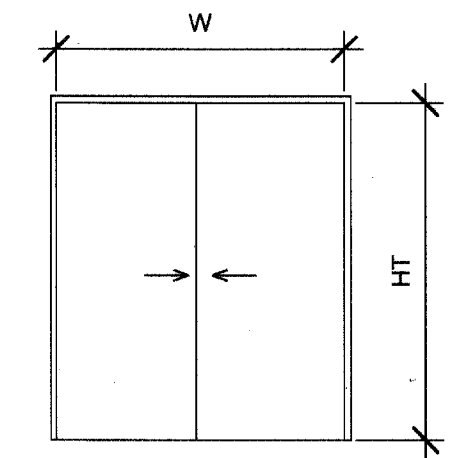
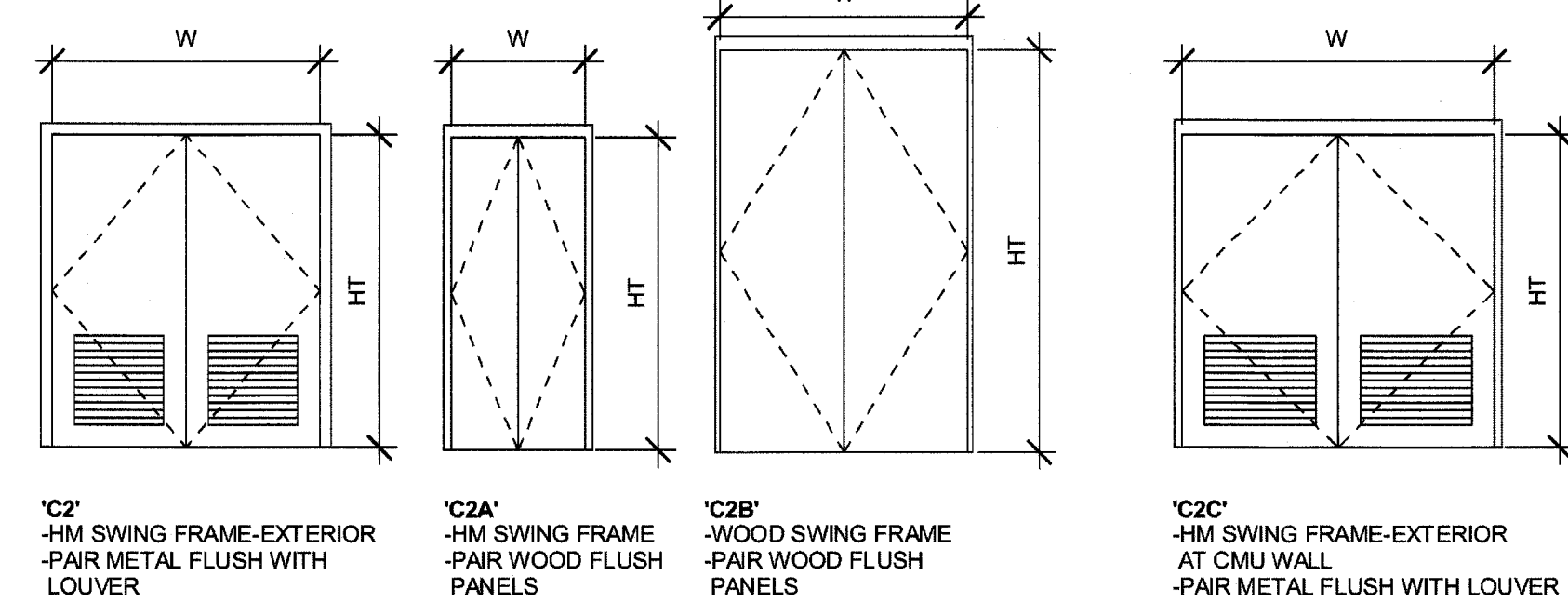
Door Schedule											
DOOR NO.	DOOR TYPE	Frame Type	Width (W)	Height (HT)	DETAIL HEAD	DETAIL L JAMB	DETAIL R JAMB	Thickness	THRESHOLD	HARDWARE	Comments
1	B2	ALUM	6' - 0"	8' - 0"	5/A5.10	5/A5.03	5/A5.03		9/A5.07	10	
2*	B	ALUM	3' - 0"	7' - 0"	10/A5.07 SIM	13/A5.07	13/A5.07		NONE	3	FOB ACTIVATED LOCK
3	AL	HM	3' - 0"	7' - 0"	1/A5.08	2/A5.08	2/A5.08	0' - 1 3/4"	NONE	7	
4	A	HM	3' - 0"	7' - 0"	5/A5.08 SIM	6/A5.08 SIM	6/A5.08 SIM	0' - 1 3/4"	NONE	6	
5	A	HM	3' - 0"	7' - 0"	5/A5.08 SIM	6/A5.08 SIM	6/A5.08 SIM	0' - 1 3/4"	NONE	6	
6	A1	HM	3' - 0"	7' - 0"	1/A5.08	2/A5.08	2/A5.08	0' - 1 3/4"	NONE	6	
7	A1	HM	3' - 0"	7' - 0"	1/A5.08	2/A5.08	2/A5.08	0' - 1 3/4"	NONE	6	
8	A1E	HM	3' - 0"	7' - 0"	3/A5.08	4/A5.08	4/A5.08	0' - 1 3/4"	9/A5.07 SIM	1	PEEP HOLE, FOB ACTIVATED LOCK
9	A1	HM	3' - 0"	7' - 0"	1/A5.08	2/A5.08	2/A5.08 SIM	0' - 1 3/4"	NONE	6	
10	C2	HM	6' - 0"	7' - 0"	5/A5.08	6/A5.08	6/A5.08	0' - 1 3/4"	9/A5.07 SIM	11	
11	A	HM	3' - 0"	7' - 0"	1/A5.08	2/A5.08	2/A5.08	0' - 1 3/4"	NONE	6	
12*	B	ALUM	3' - 0"	7' - 0"	10/A5.07 SIM	12/A5.07	12/A5.07		NONE	5	
13	AL1	HM	3' - 0"	7' - 0"	3/A5.08	4/A5.08	4/A5.08	0' - 1 3/4"	NONE	7	
14	AL1	HM	3' - 0"	7' - 0"	3/A5.08	4/A5.08	4/A5.08	0' - 1 3/4"	NONE	7	FOB ACTIVATED LOCK
15	A	HM	3' - 0"	7' - 0"	1/A5.08	2/A5.08	2/A5.08	0' - 1 3/4"	NONE	6	
16	A1E	HM	3' - 0"	7' - 0"	3/A5.08	4/A5.08	4/A5.08	0' - 1 3/4"	9/A5.07 SIM	1	PEEP HOLE, FOB ACTIVATED LOCK
17	A1E	HM	3' - 0"	7' - 0"	9/A5.08 SIM	8/A5.08, 9/A5.08	8/A5.08, 9/A5.08	0' - 1 3/4"	9/A5.07 SIM	1	PEEP HOLE, FOB ACTIVATED LOCK
18	C2A	HM	3' - 0"	7' - 0"	1/A5.08	2/A5.08	2/A5.08	0' - 1 3/4"	NONE	14	
19	AK	HM	3' - 0"	7' - 0"	1/A5.08	2/A5.08	2/A5.08	0' - 1 3/4"	STONE SLAB	8	
20	AK	HM	3' - 0"	7' - 0"	1/A5.08	2/A5.08	2/A5.08	0' - 1 3/4"	STONE SLAB	8	
21	C2A	HM	3' - 0"	7' - 0"	1/A5.08	2/A5.08	2/A5.08	0' - 1 3/4"	NONE	14	
23	AL	HM	3' - 0"	7' - 0"	1/A5.08	2/A5.08	2/A5.08	0' - 1 3/4"	NONE	7	
24	AL	HM	3' - 0"	7' - 0"	1/A5.08	2/A5.08	2/A5.08	0' - 1 3/4"	NONE	7	
25	A	HM	3' - 0"	7' - 0"	1/A5.08	2/A5.08	2/A5.08	0' - 1 3/4"	NONE	6	
26	A	HM	3' - 0"	7' - 0"	1/A5.08	2/A5.08	2/A5.08	0' - 1 3/4"	NONE	6	
27	A	HM	3' - 0"	7' - 0"	1/A5.08	2/A5.08	2/A5.08	0' - 1 3/4"	NONE	6	
28	A	HM	3' - 0"	7' - 0"	1/A5.08	2/A5.08	2/A5.08	0' - 1 3/4"	NONE	6	
29	A	HM	3' - 0"	7' - 0"	1/A5.08	2/A5.08	2/A5.08	0' - 1 3/4"	NONE	7	
30*	B	ALUM	3' - 0"	7' - 0"	10/A5.07	11/A5.07	11/A5.07		NONE	5	FOB ACTIVATED LOCK
31	AK	HM	3' - 0"	7' - 0"	1/A5.08	2/A5.08	2/A5.08	0' - 1 3/4"	STONE SLAB	6	
32	AK	HM	3' - 0"	7' - 0"	1/A5.08	2/A5.08	2/A5.08	0' - 1 3/4"	STONE SLAB	9	
33	AK	HM	3' - 0"	7' - 0"	1/A5.08	2/A5.08	2/A5.08	0' - 1 3/4"	STONE SLAB	9	
34	C2	HM	6' - 0"	7' - 0"	5/A5.08	6/A5.08	6/A5.08	0' - 1 3/4"	9/A5.07 SIM	11	
35	D	WD	6' - 0"	7' - 0"	13/A5.08	14/A5.08	14/A5.08	0' - 1 3/4"	NONE	15	
36	A	HM	3' - 0"	7' - 0"	1/A5.08	2/A5.08	2/A5.08	0' - 1 3/4"	NONE	6	FOB ACTIVATED LOCK
37	C2B	WD	5' - 6 1/2"	9' - 0"	11/A5.08	12/A5.08	12/A5.08	0' - 1 3/4"	NONE	13	DOOR AT PANELFOLD STACK POCKET OPEN'G
38	A	HM	3' - 0"	7' - 0"	1/A5.08	2/A5.08	2/A5.08	0' - 1 3/4"	NONE	6	FOB ACTIVATED LOCK
39	D	WD	6' - 0"	7' - 0"	13/A5.08	14/A5.08	14/A5.08	0' - 1 3/4"	NONE	15	
40	AA	HM	3' - 0"	7' - 0"	1/A5.08	2/A5.08	2/A5.08	0' - 1 3/4"	NONE	6	
41	A1E	HM	3' - 0"	7' - 0"	8/A5.08 SIM	8/A5.08, 9/A5.08	8/A5.08, 9/A5.08	0' - 1 3/4"	9/A5.07 SIM	2	
BB1	C2C	HM	7' - 0"	7' - 0"	3/A5.08	4/A5.08	4/A5.08	0' - 1 3/4"	9/A5.07 SIM	12	
BB2	A1E	HM	3' - 0"	7' - 0"	3/A5.08	4/A5.08	4/A5.08	0' - 1 3/4"	9/A5.07 SIM	4	
BB5	C2C	HM	7' - 0"	7' - 0"	5/A5.08 SIM	8/A5.08, 9/A5.08	8/A5.08, 9/A5.08	0' - 1 3/4"	9/A5.07 SIM	12	
BB6	C2C	HM	7' - 0"	7' - 0"	5/A5.08 SIM	8/A5.08, 9/A5.08	8/A5.08, 9/A5.08	0' - 1 3/4"	9/A5.07 SIM	12	

NOTE: * BUTTON ACTIVATED UNLOCKING SYSTEM. SEE ELECTRICAL.



1 TYPE "B"
1/4" = 1'-0"

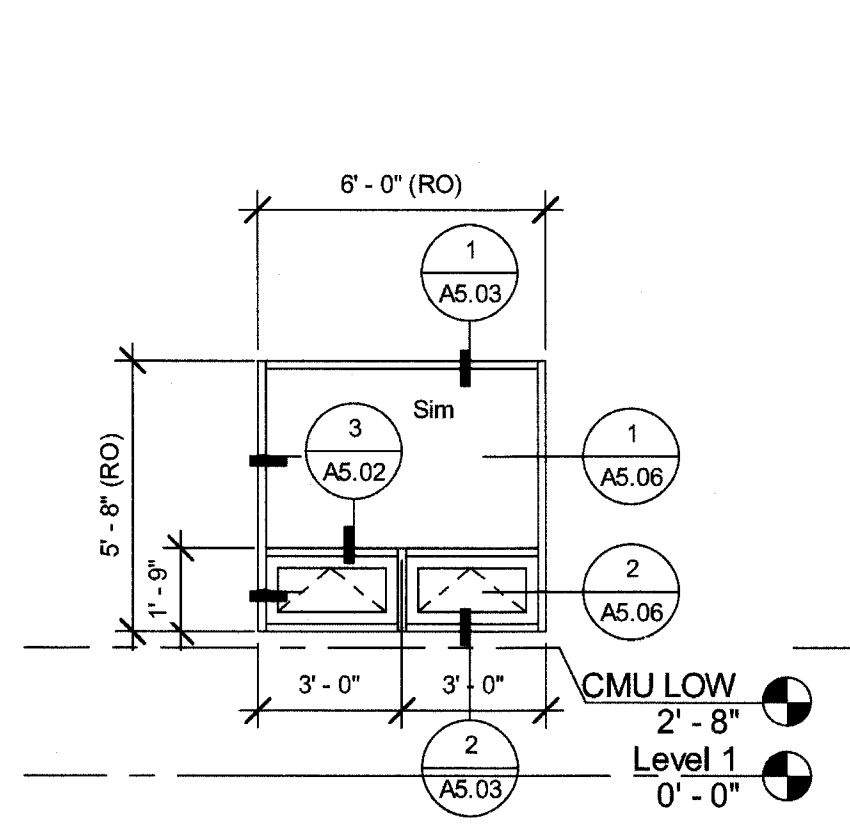
2 TYPE "B2"
1/4" = 1'-0"



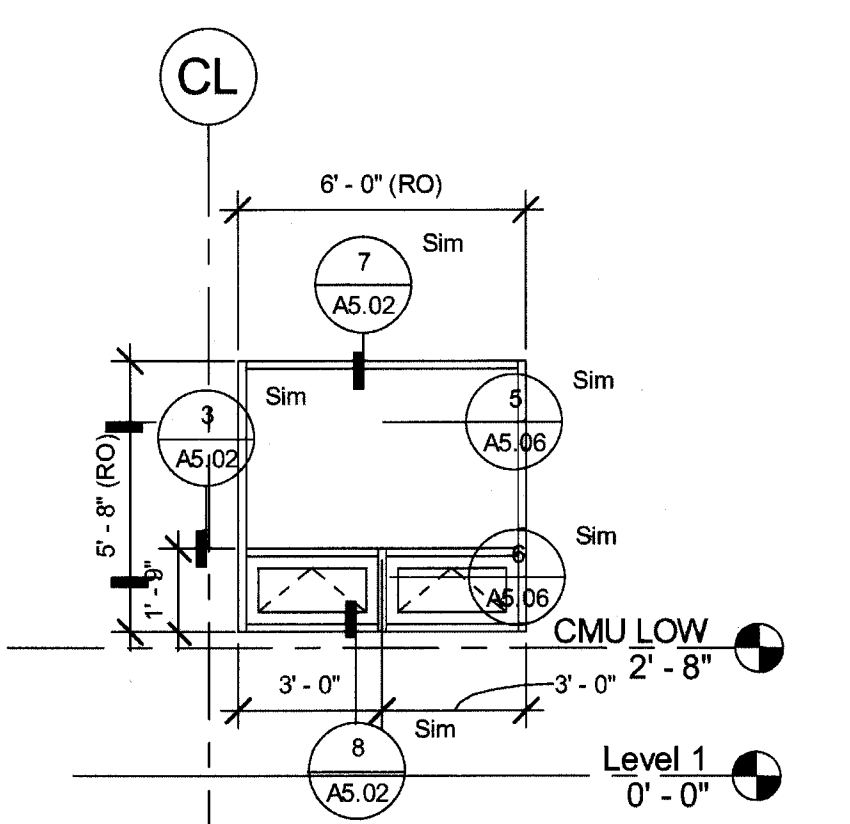
D
-WOOD FRAME SLIDING DR FRAME
-PAIR WOOD FLUSH PANELS
DOOR TYPES
1/4" = 1'-0"

DOOR AND GATE HARDWARE NOTE (PER ADAAG 404.2.7): HANDLES, PULLS, LATCHES, LOCKS, AND OTHER OPERABLE PARTS ON DOORS AND GATES SHALL COMPLY WITH ADAAG 309.4. OPERABLE PARTS OF SUCH HARDWARE SHALL BE 36" ABOVE FINISH FLOOR. WHERE SLIDING DOORS ARE IN FULLY OPEN POSITION, OPERATING HARDWARE SHALL BE EXPOSED AND USABLE FROM BOTH SIDES.

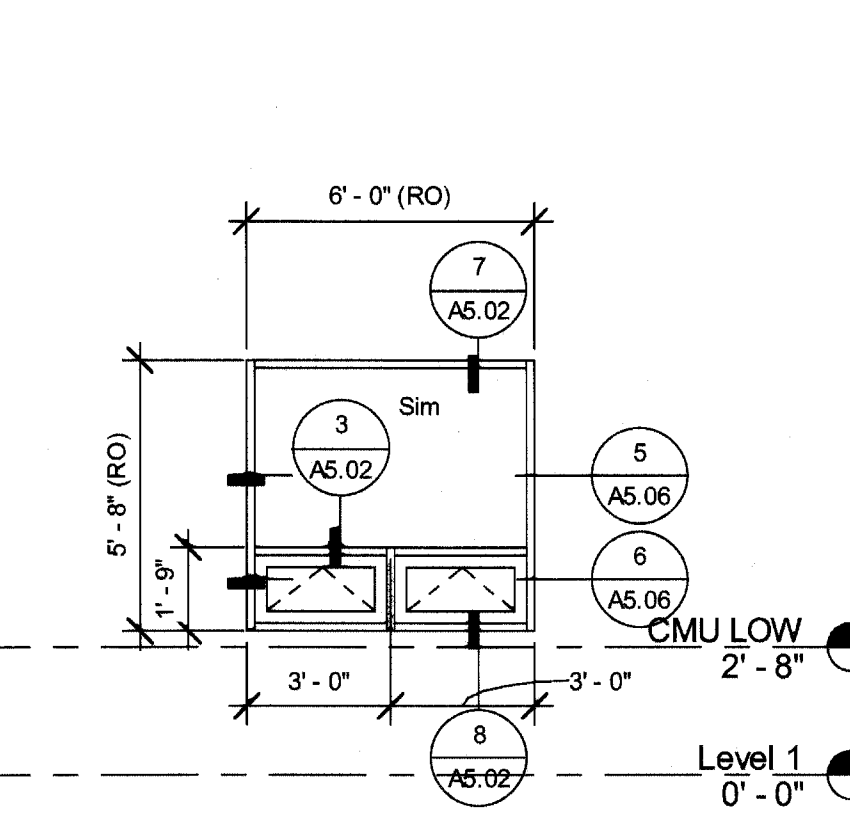
REVISION NO.	SYM.	DESCRIPTION	SHT./OF	DATE	APPROVED
STATE OF HAWAII DEPARTMENT OF LAND AND NATURAL RESOURCES ENGINEERING DIVISION					
MAUI OFFICE ANNEX WAILUKU, MAUI, HAWAII					
DOOR SCHEDULE AND TYPES					
DESIGNED:			SUBMITTED:	6/1	
DRAWN:			DATE:	03/15/16	
CHECKED:			SCALE:		
APPROVED:	<i>Cyly</i>		DATE:	MAR 23 2016	
CHIEF ENGINEER			DRAWING NO. A5.00		



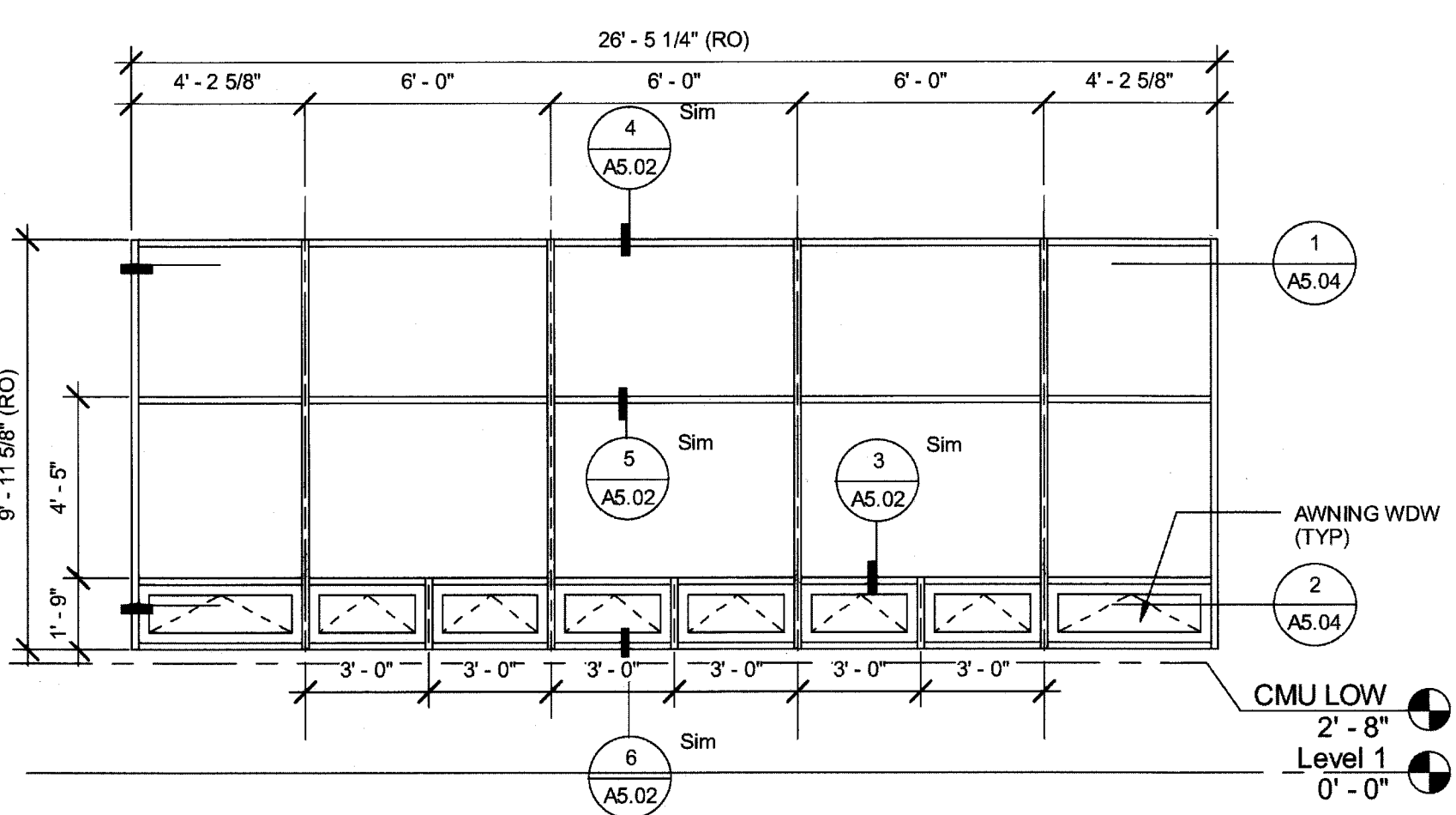
5 SF5 (ALUM FRAMED STOREFRONT)
1/4" = 1'-0"



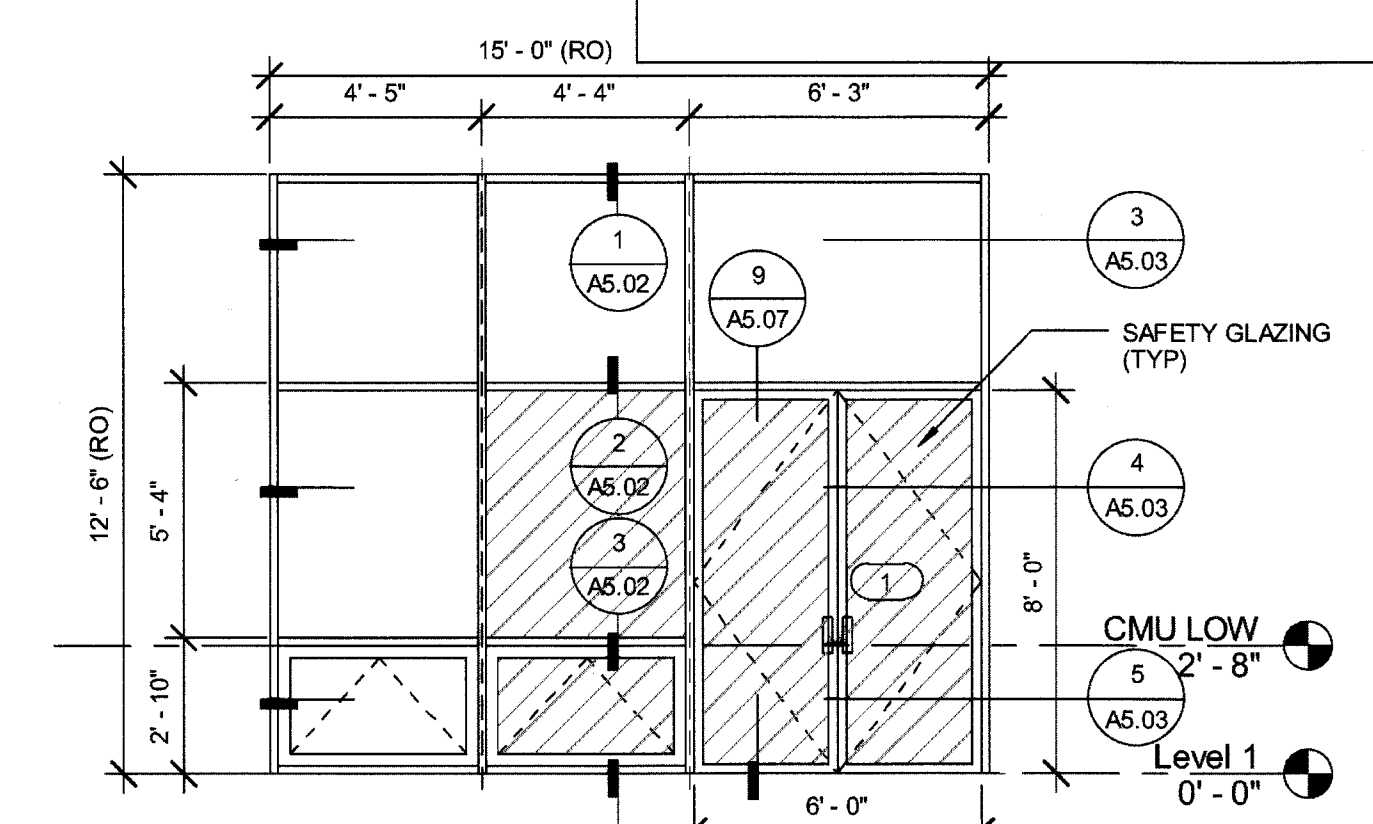
4 SF4 (ALUM FRAMED STOREFRONT)
1/4" = 1'-0"



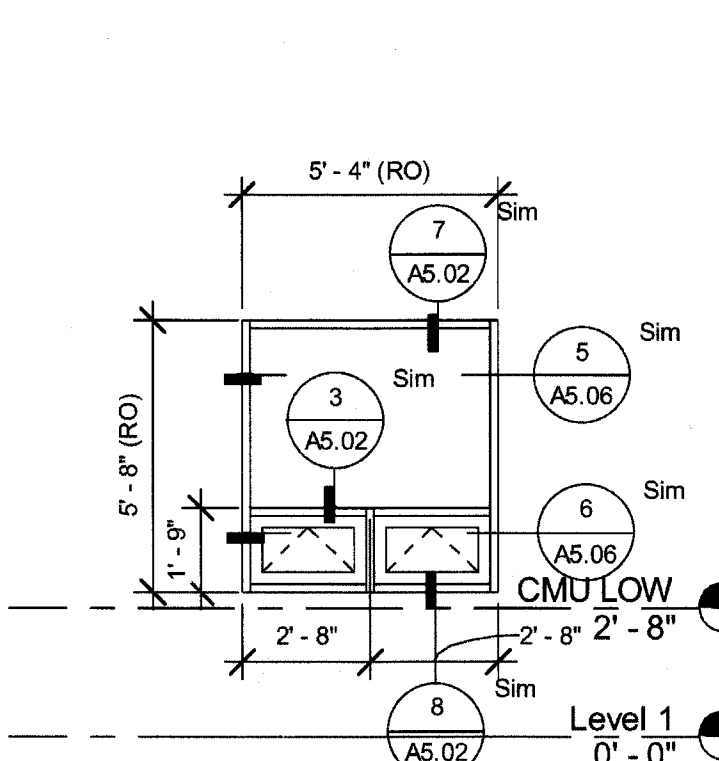
3 SF3 (ALUM FRAMED STOREFRONT)
1/4" = 1'-0"



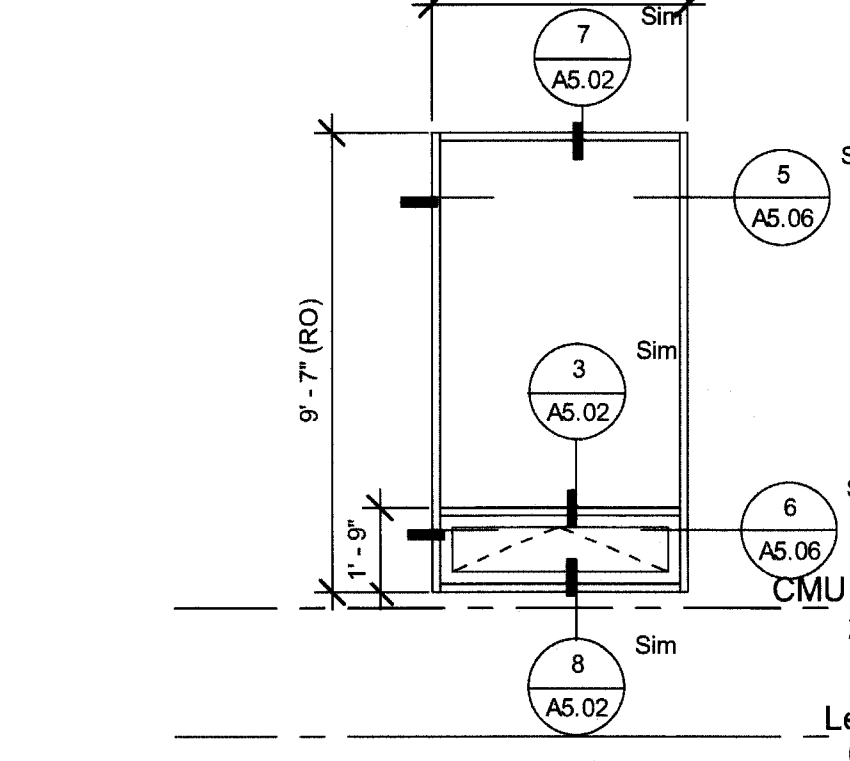
2 SF2 (ALUM FRAMED STOREFRONT)
1/4" = 1'-0"



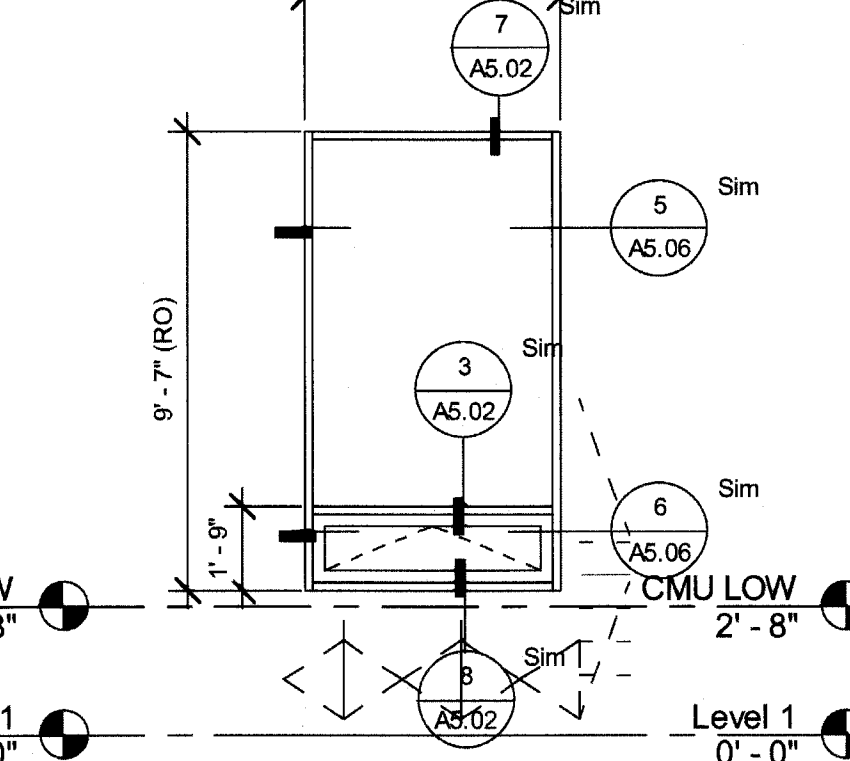
1 SF1 (ALUM FRAMED STOREFRONT)
1/4" = 1'-0"



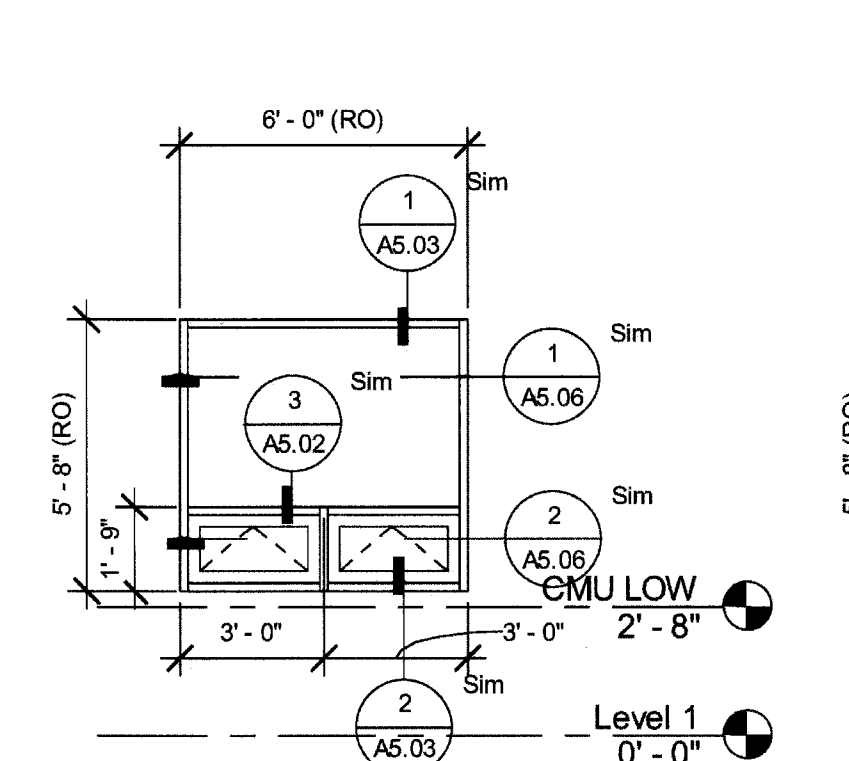
12 SF12 (ALUM FRAMED STOREFRONT)
1/4" = 1'-0"



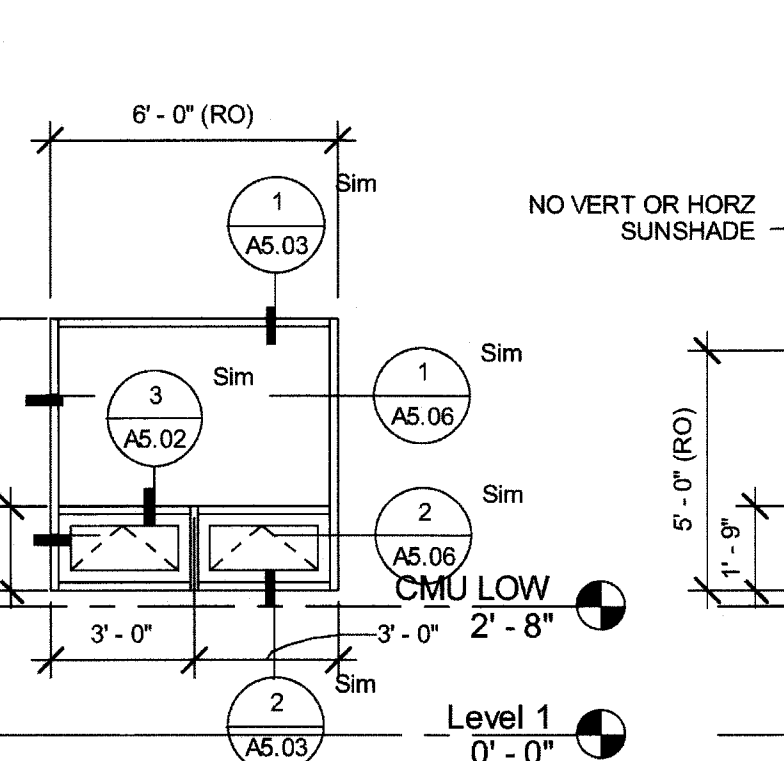
11 SF11 (ALUM FRAMED STOREFRONT)
1/4" = 1'-0"



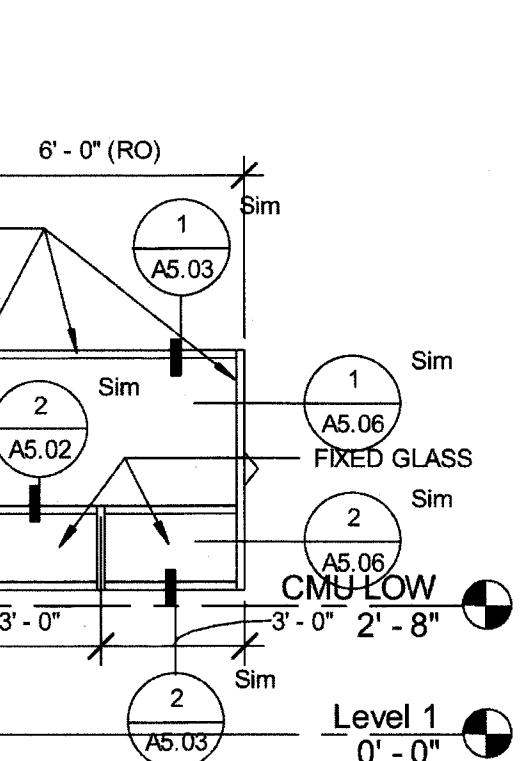
10 SF10 (ALUM FRAMED STOREFRONT)
1/4" = 1'-0"



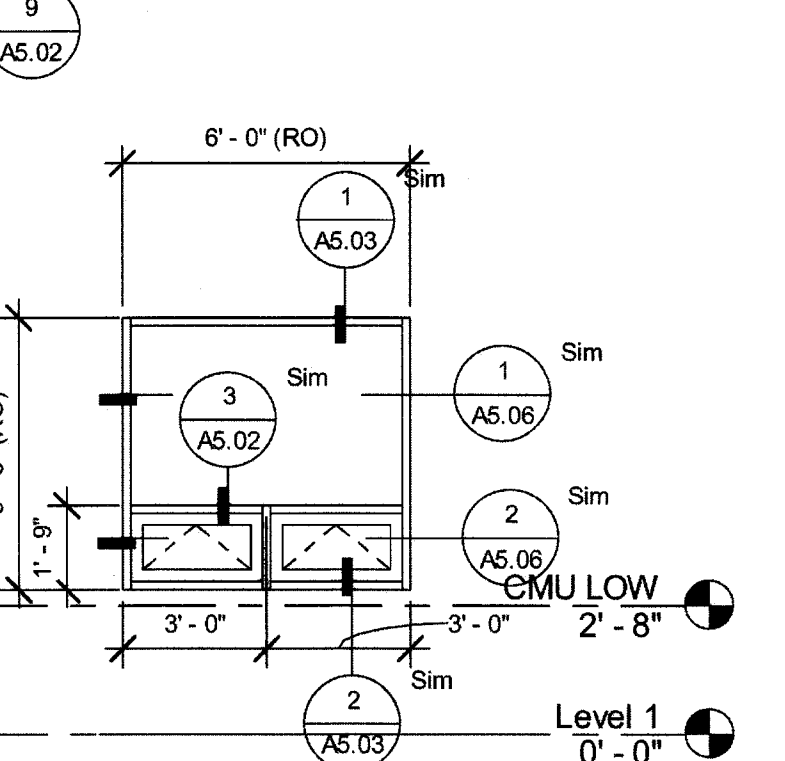
9 SF9 (ALUM FRAMED STOREFRONT)
1/4" = 1'-0"



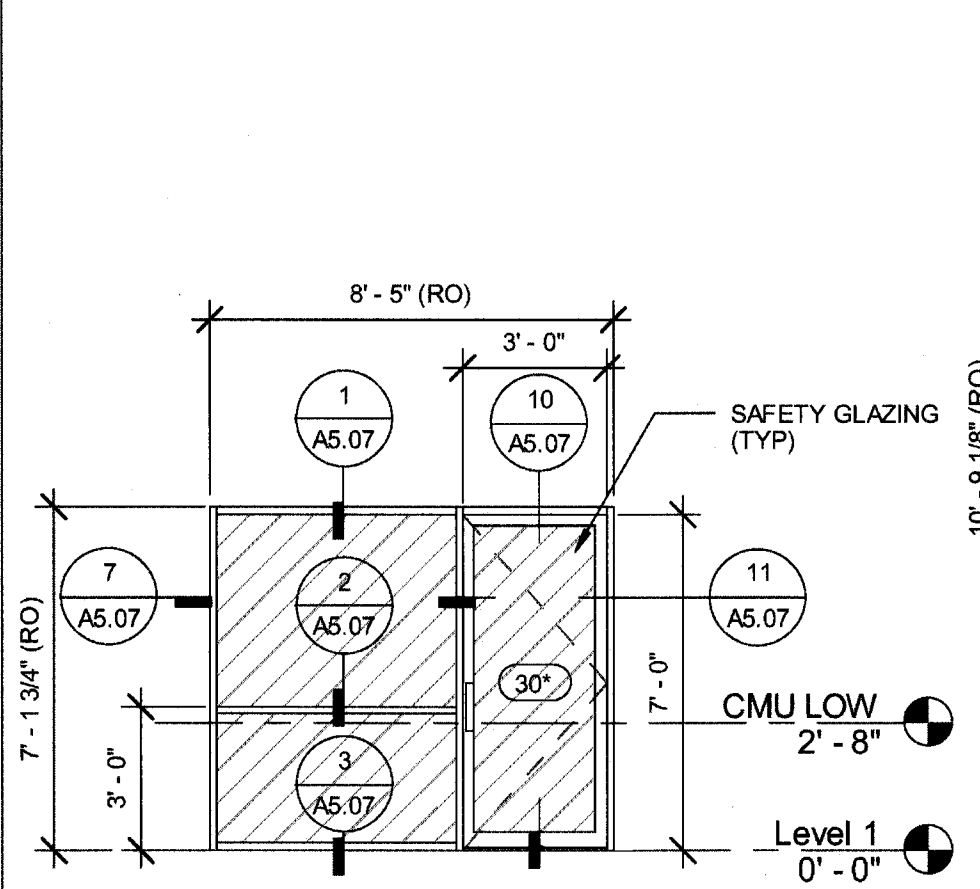
8 SF8 (ALUM FRAMED STOREFRONT)
1/4" = 1'-0"



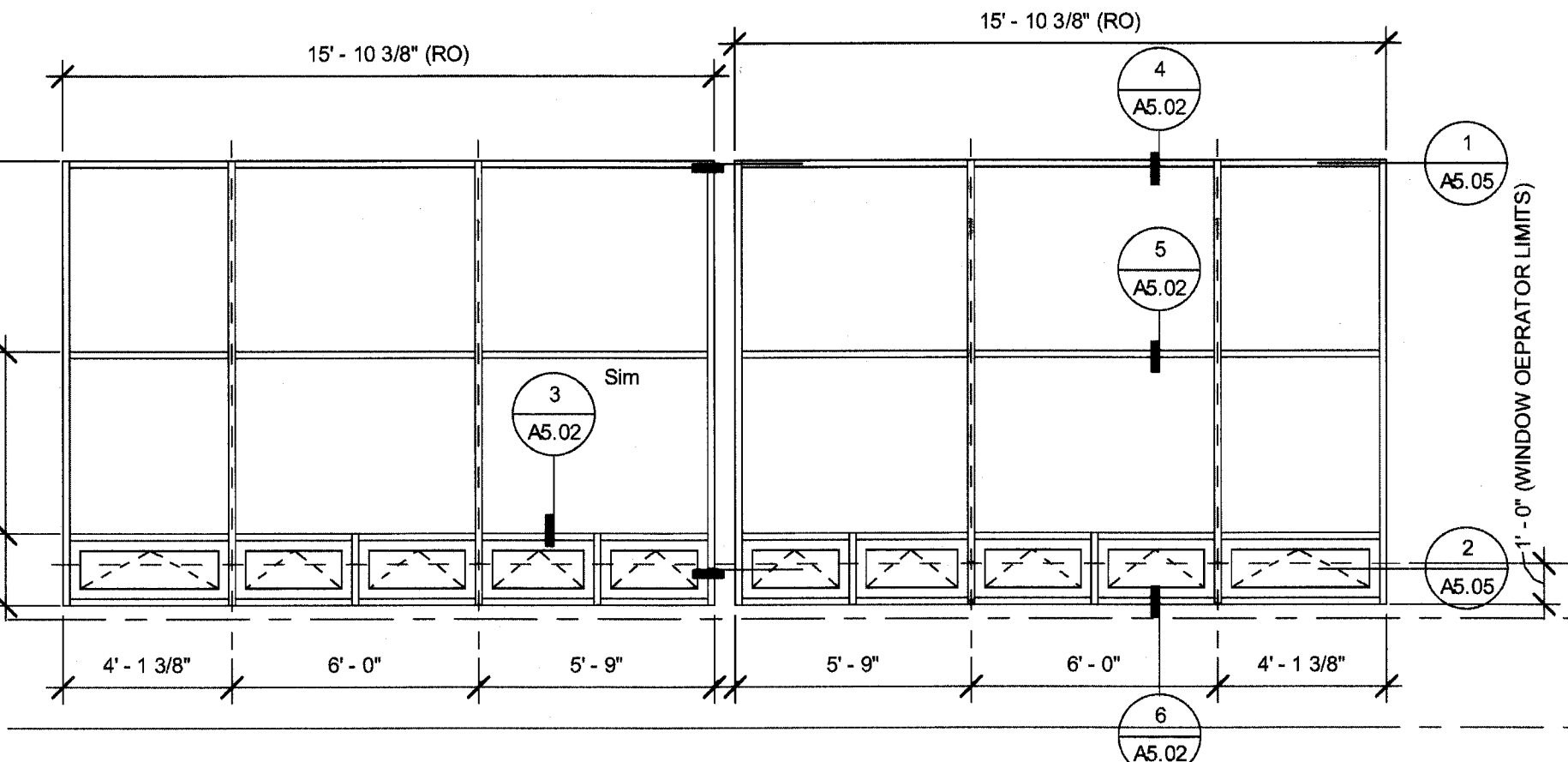
7 SF7 (ALUM FRAMED STOREFRONT)
1/4" = 1'-0"



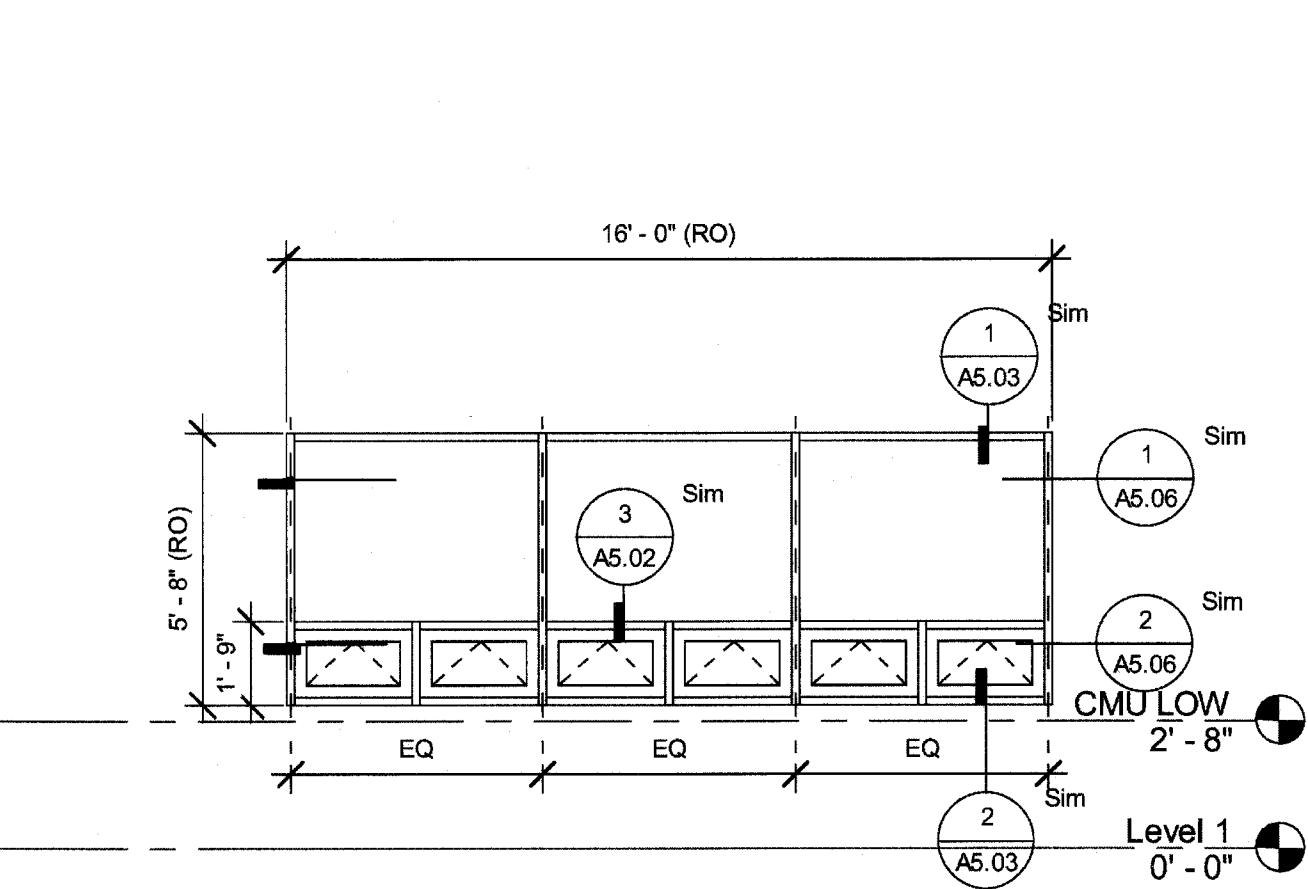
6 SF6 (ALUM FRAMED STOREFRONT)
1/4" = 1'-0"



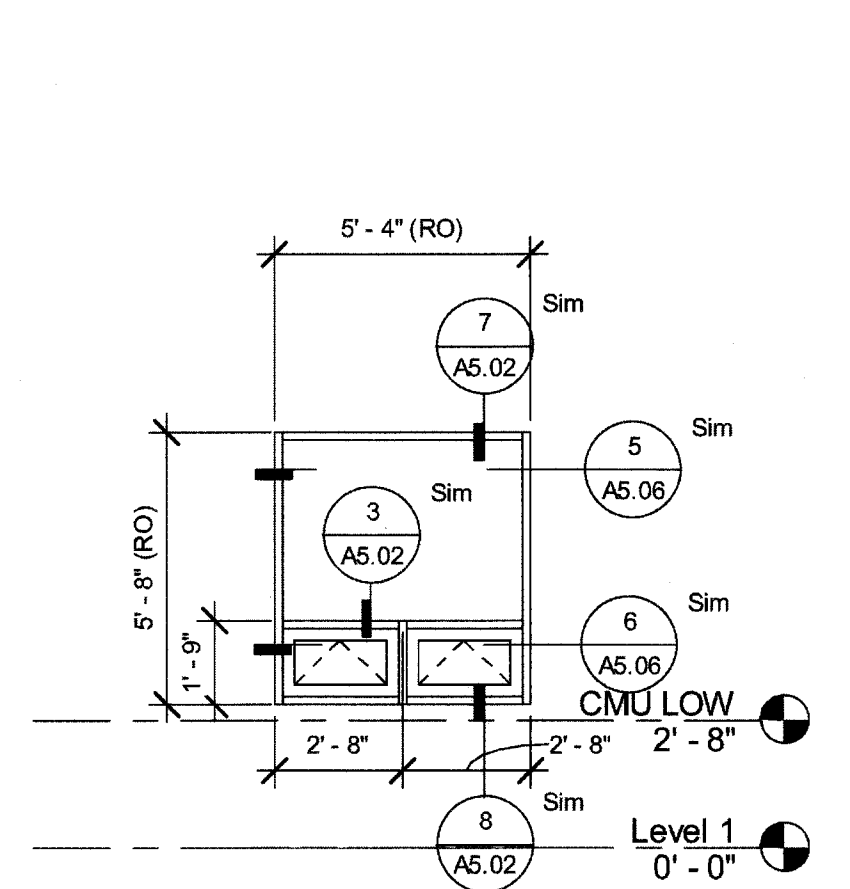
17 SF18 (ALUM FRAMED STOREFRONT)
1/4" = 1'-0"



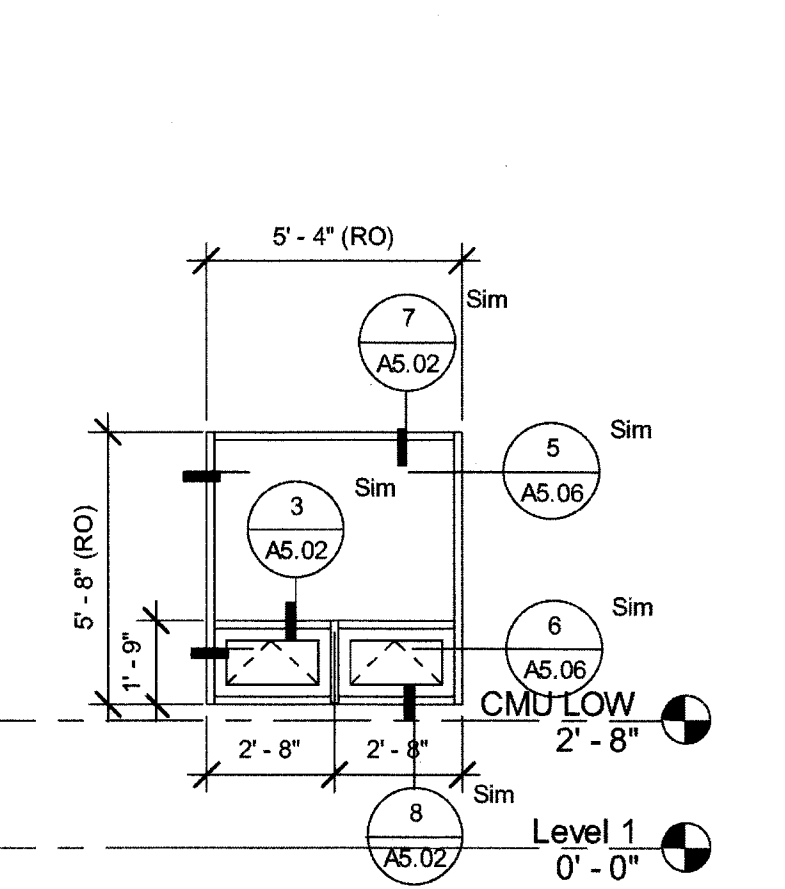
16 SF16 & 17 (ALUM FRAMED STOREFRONT)
1/4" = 1'-0"



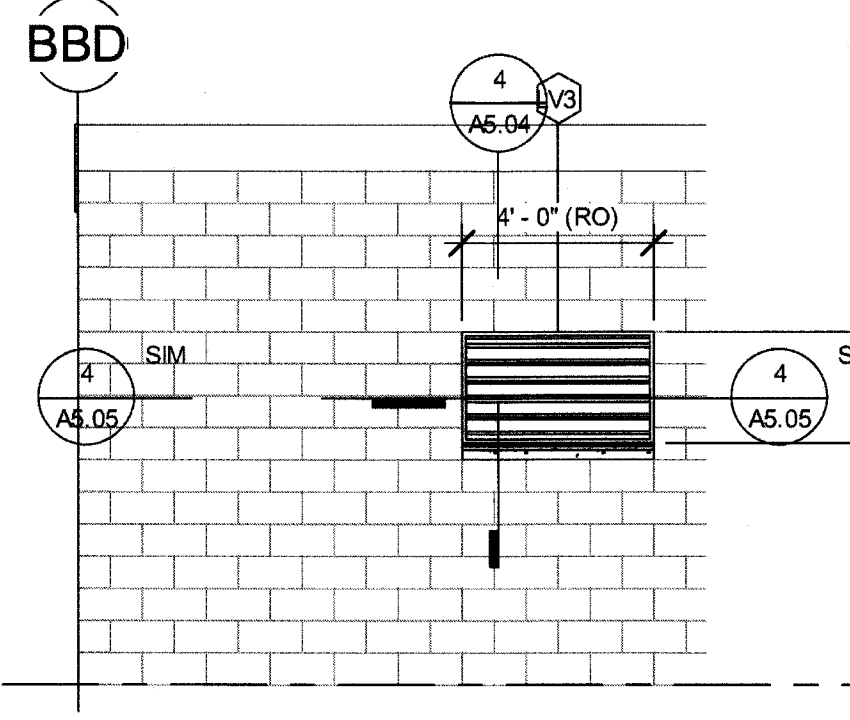
15 SF15 (ALUM FRAMED STOREFRONT)
1/4" = 1'-0"



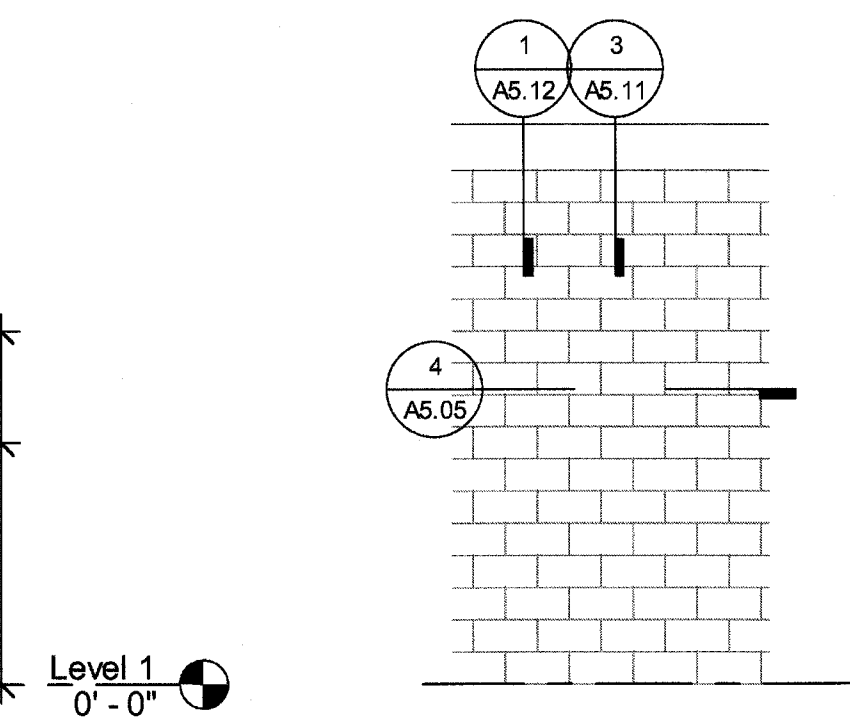
14 SF14 (ALUM FRAMED STOREFRONT)
1/4" = 1'-0"



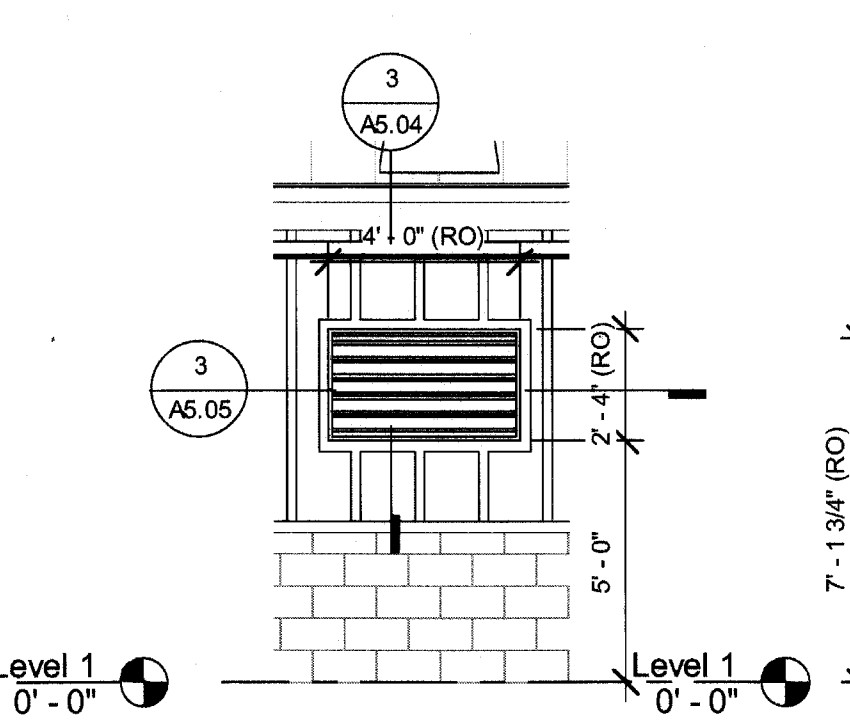
13 SF13 (ALUM FRAMED STOREFRONT)
1/4" = 1'-0"



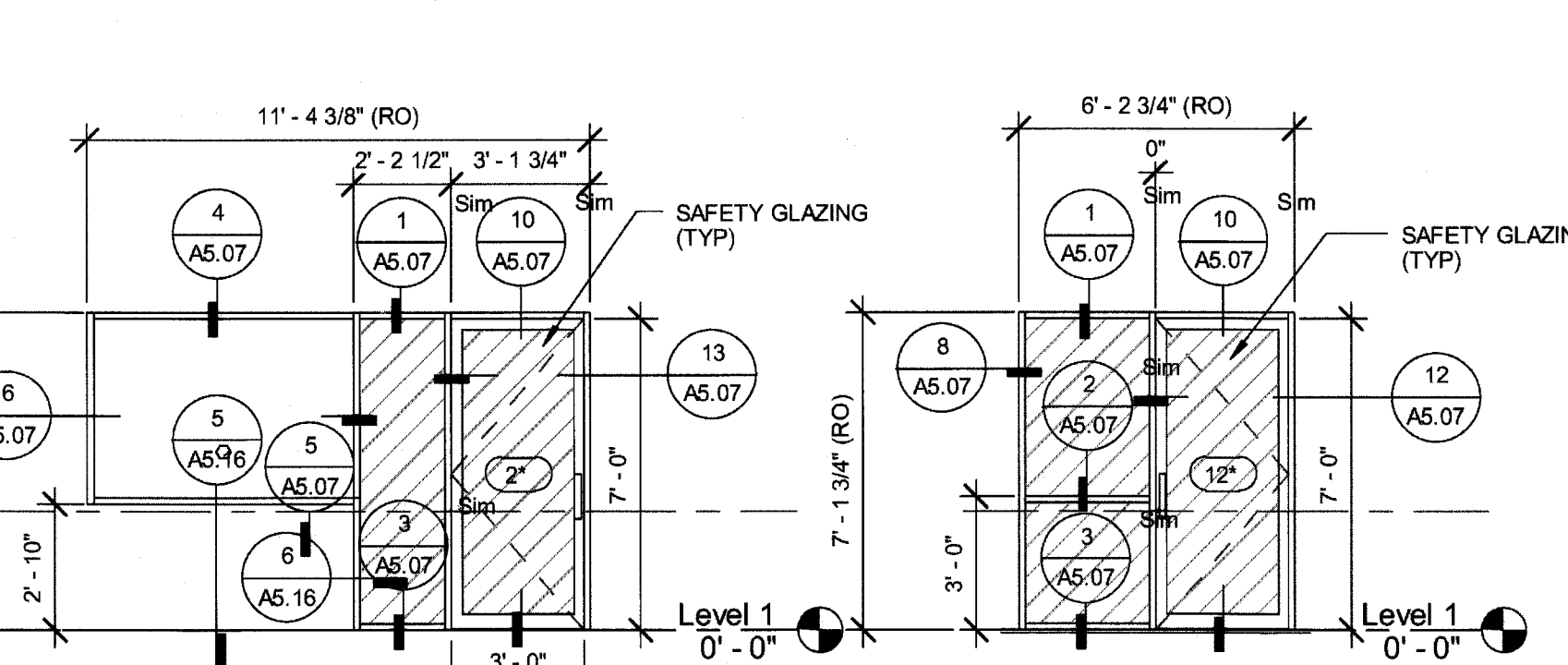
22 LV3 & 4
1/4" = 1'-0"



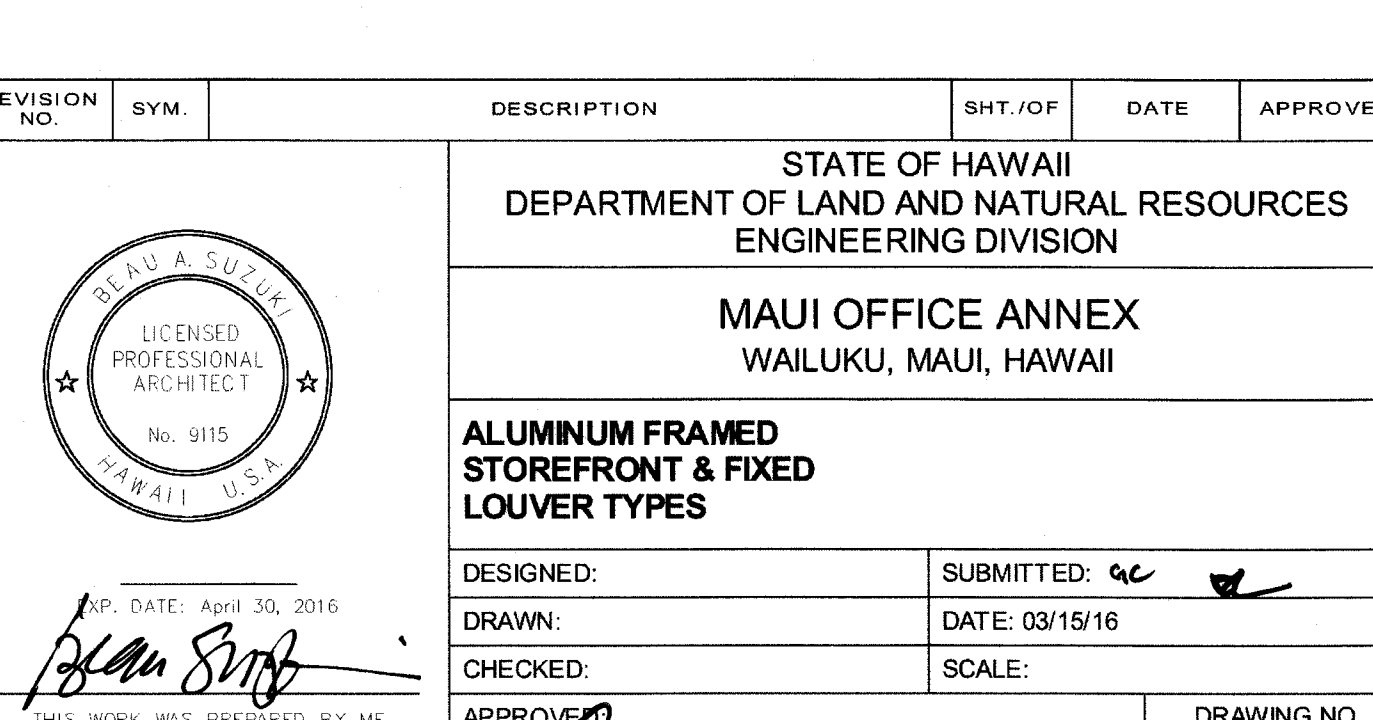
21 LV2
1/4" = 1'-0"



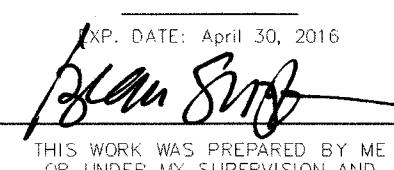
20 LV1
1/4" = 1'-0"

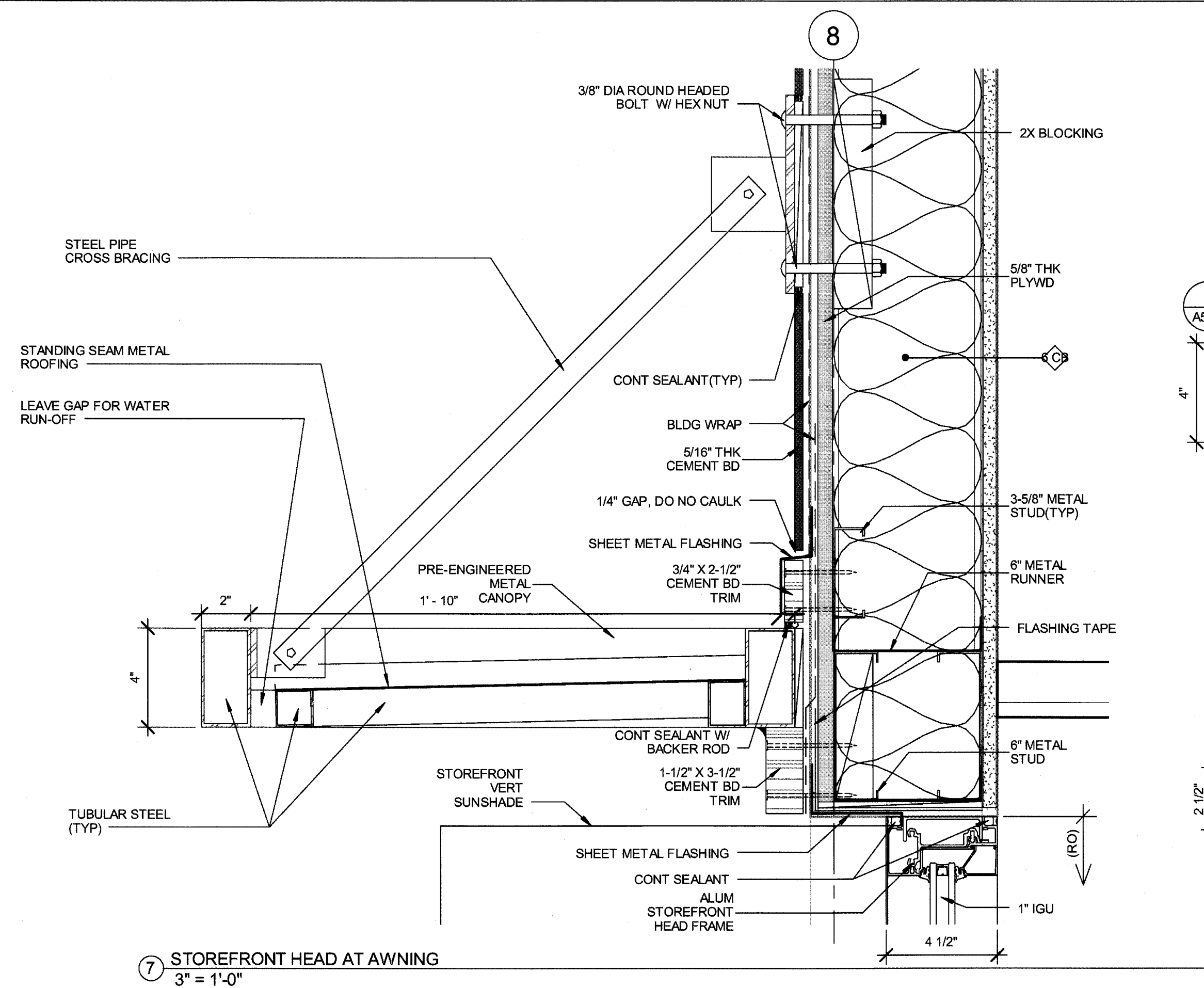


19 SF20 (ALUM FRAMED STOREFRONT)
1/4" = 1'-0"

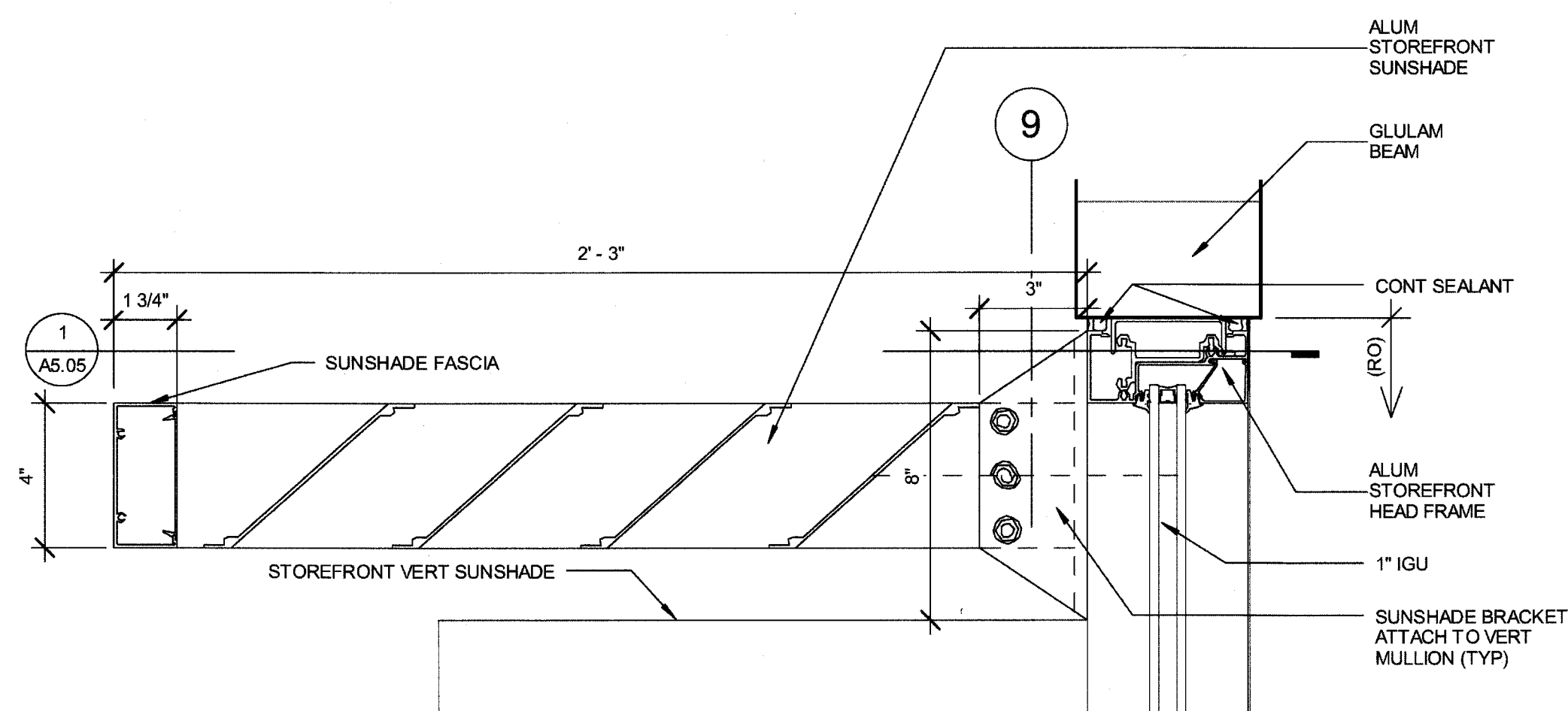


18 SF19 (ALUM FRAMED STOREFRONT)
1/4" = 1'-0"

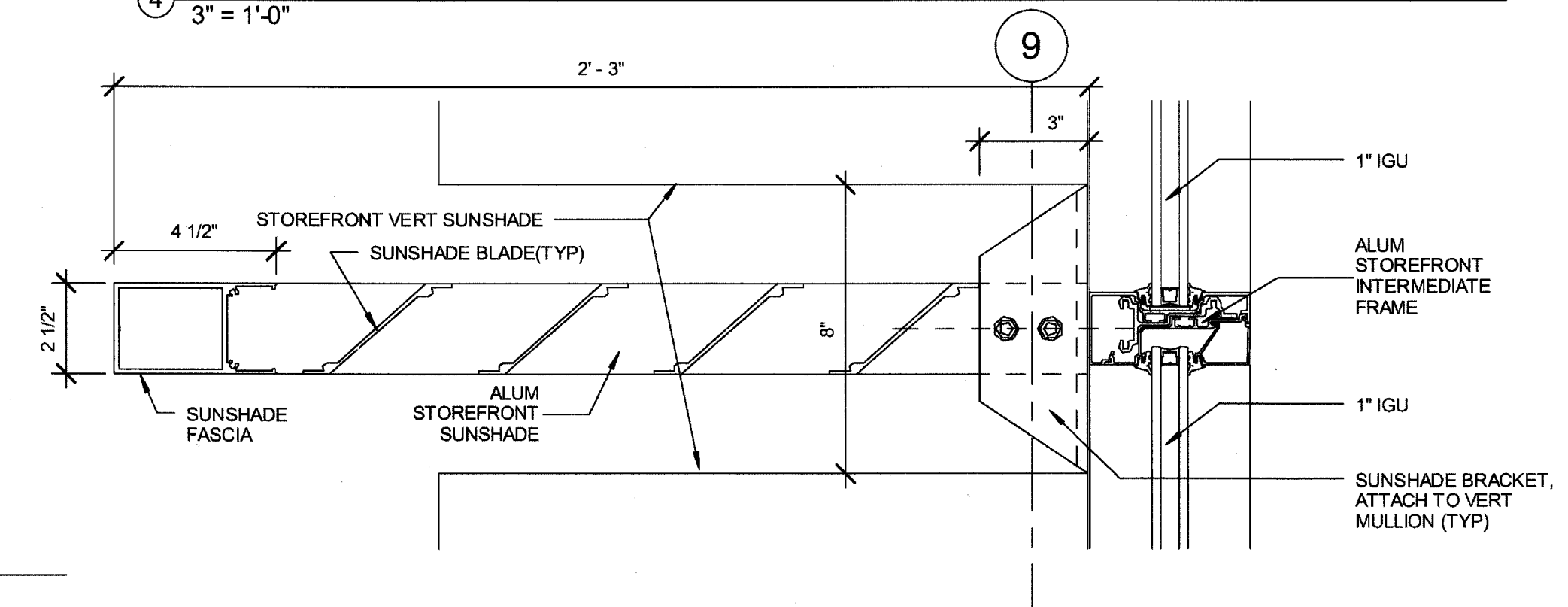
REVISION NO.	SYM.	DESCRIPTION	SHT./OF	DATE	APPROVED
STATE OF HAWAII DEPARTMENT OF LAND AND NATURAL RESOURCES ENGINEERING DIVISION MAUI OFFICE ANNEX WAILUKU, MAUI, HAWAII					
ALUMINUM FRAMED STOREFRONT & FIXED LOUVER TYPES					
DESIGNED:			SUBMITTED:	ac	
DRAWN:			DATE:	03/15/16	
CHECKED:			SCALE:		
APPROVED:	 CHIEF ENGINEER		DATE:	MAR 22 2016	
					DRAWING NO. A5.01



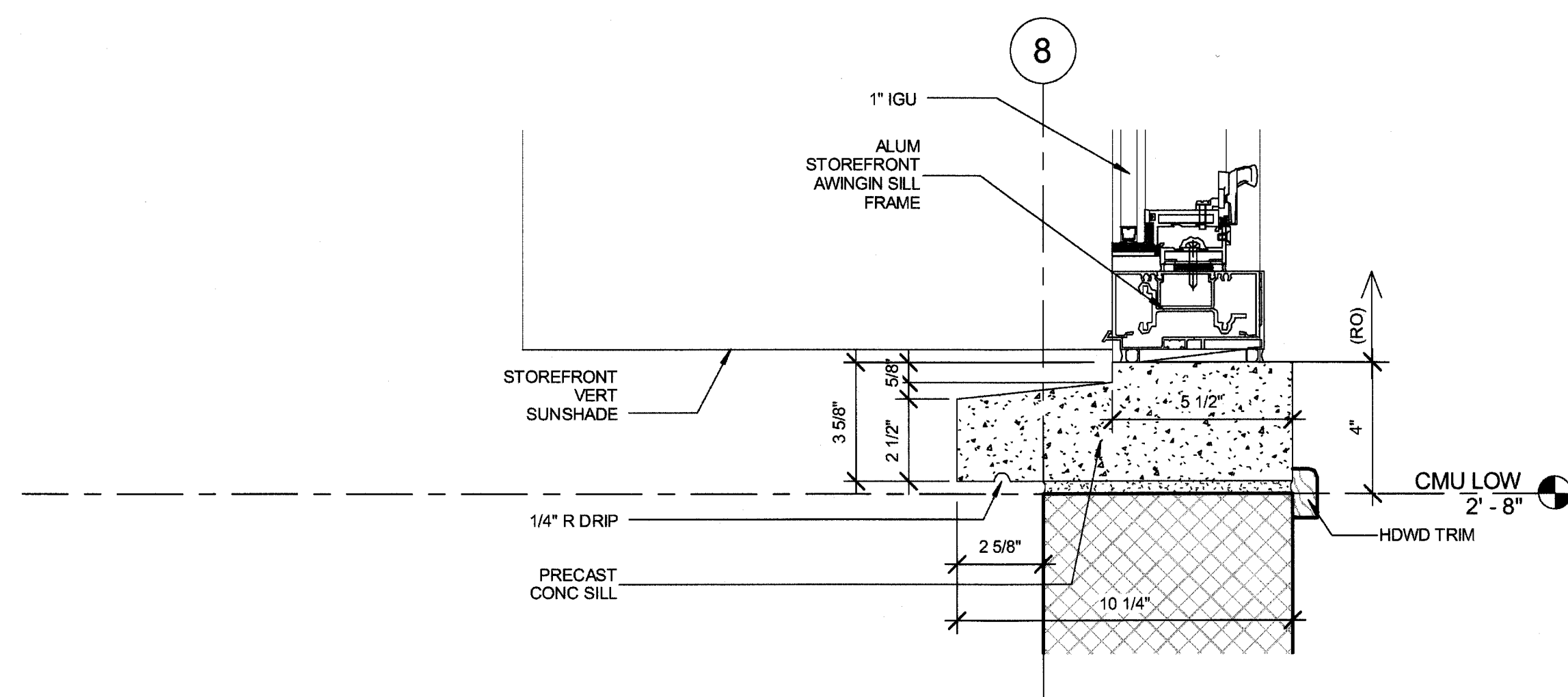
7 STOREFRONT HEAD AT AWNING
3" = 1'-0"



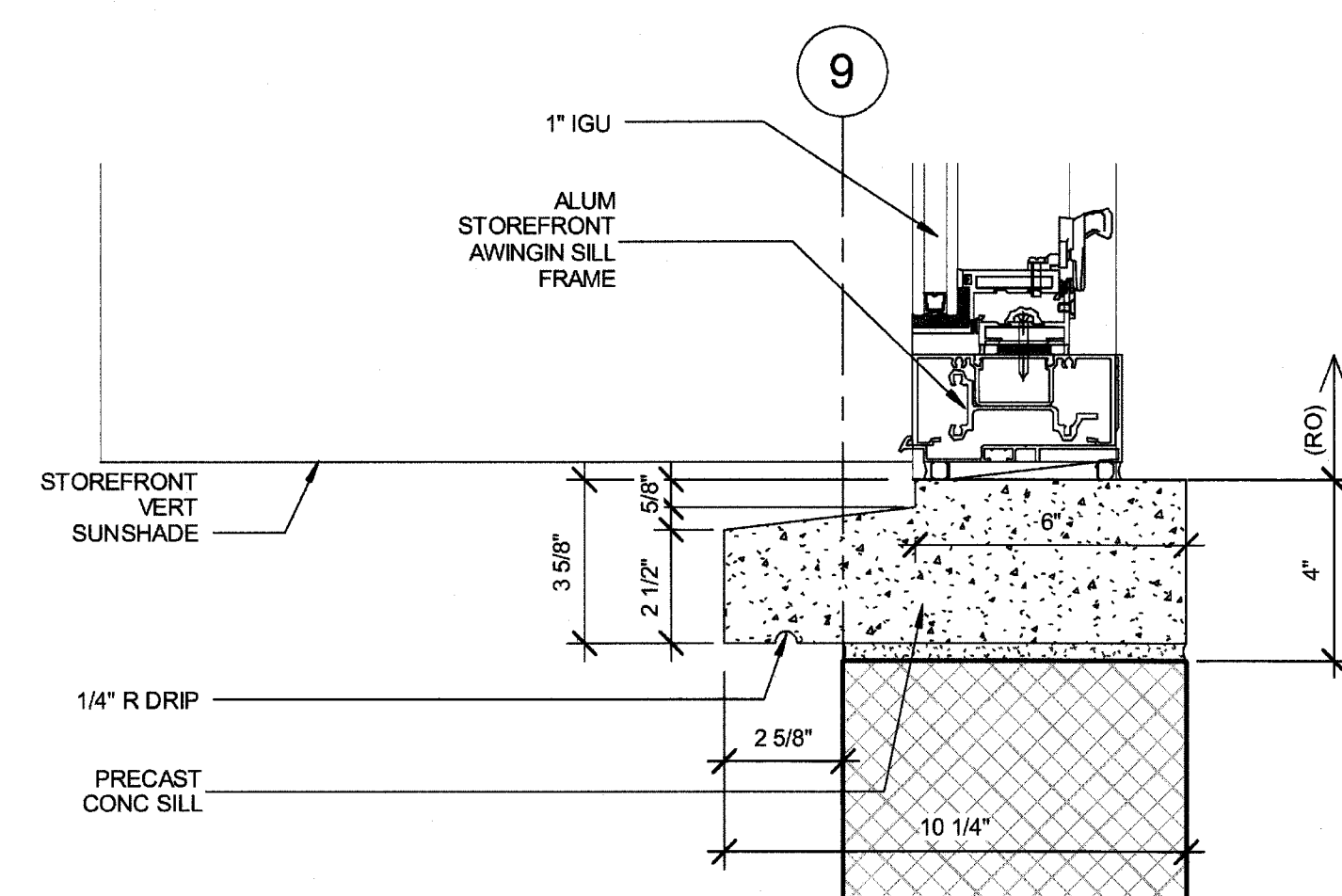
4 STOREFRONT MTG RMS HEAD
3" = 1'-0"



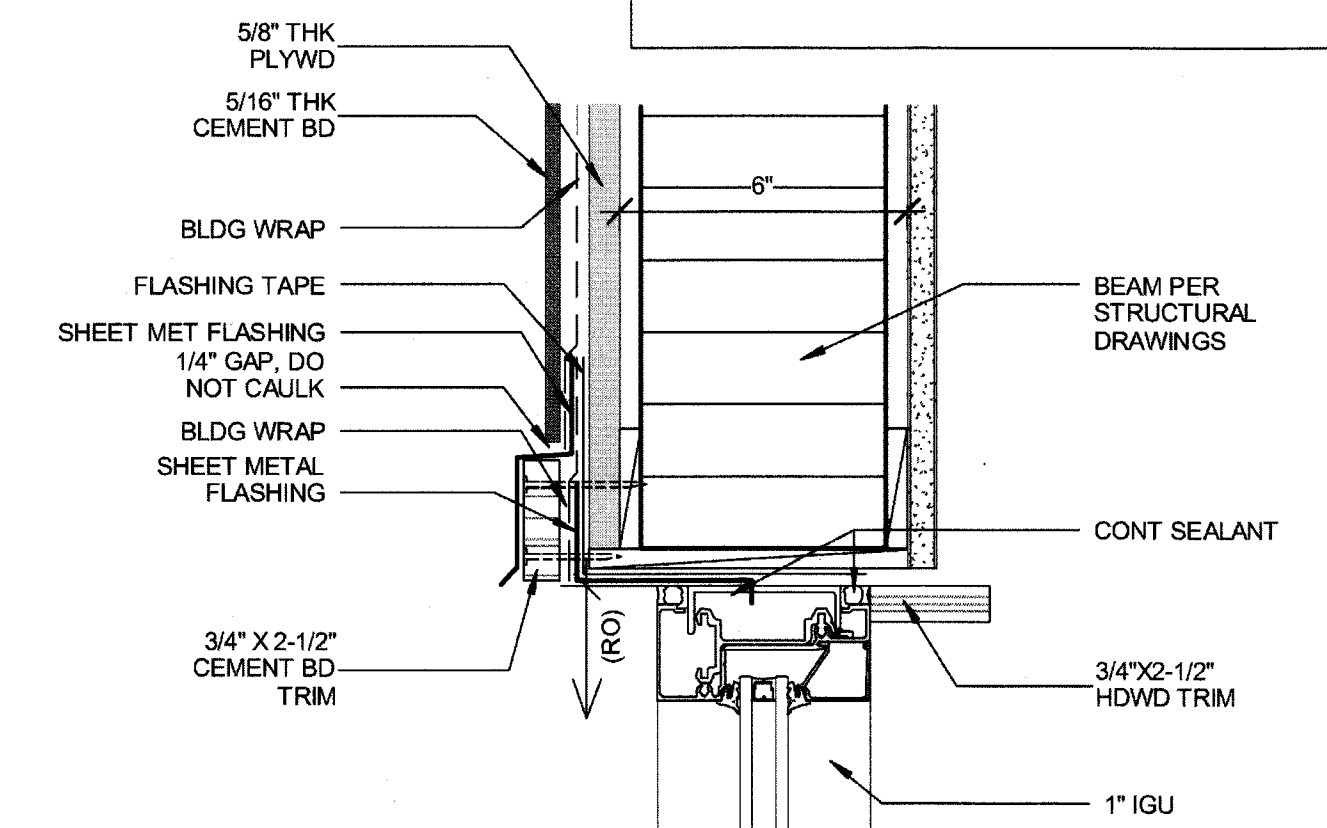
5 STOREFRONT MTG RMS HORIZONTAL SUN SHADE PROJECTION
3" = 1'-0"



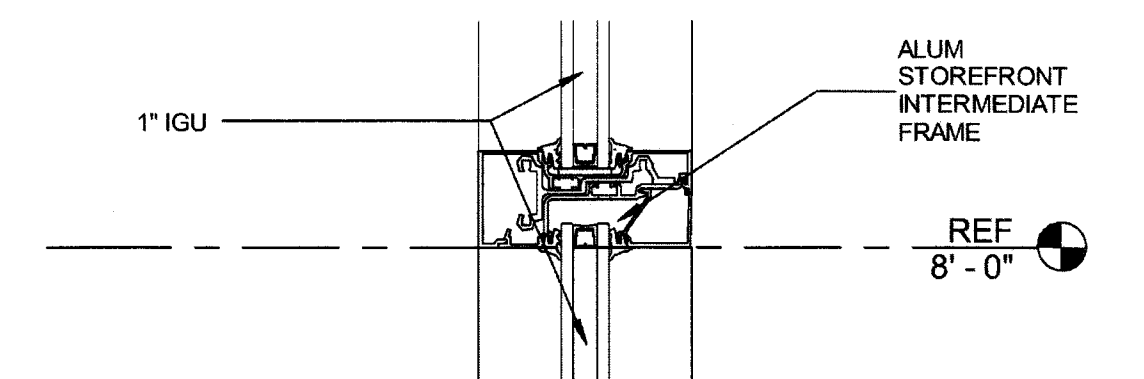
8 STOREFRONT AWNING SILL
3" = 1'-0"



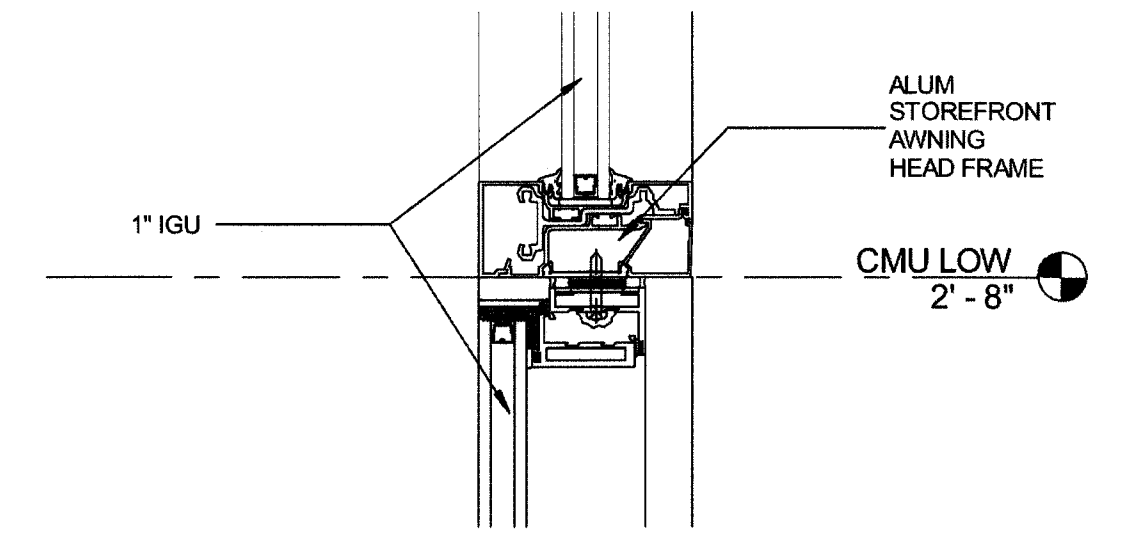
6 STOREFRONT MTG RMS SILL
3" = 1'-0"



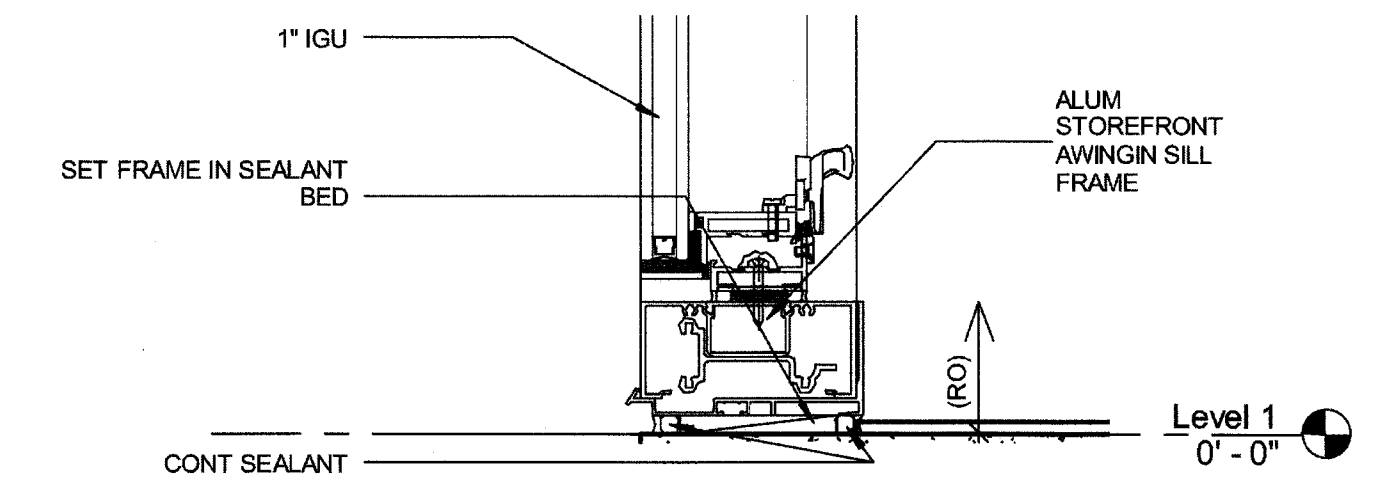
1 STOREFRONT MAIN ENTRY HEAD
3" = 1'-0"



2 STOREFRONT MAIN ENTRY MID MULLION
3" = 1'-0"

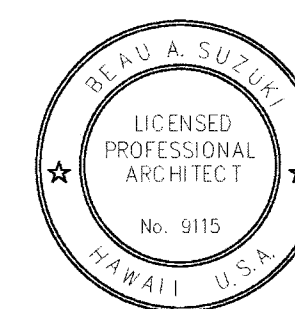


3 STOREFRONT TYPICAL AWNING HEAD
3" = 1'-0"



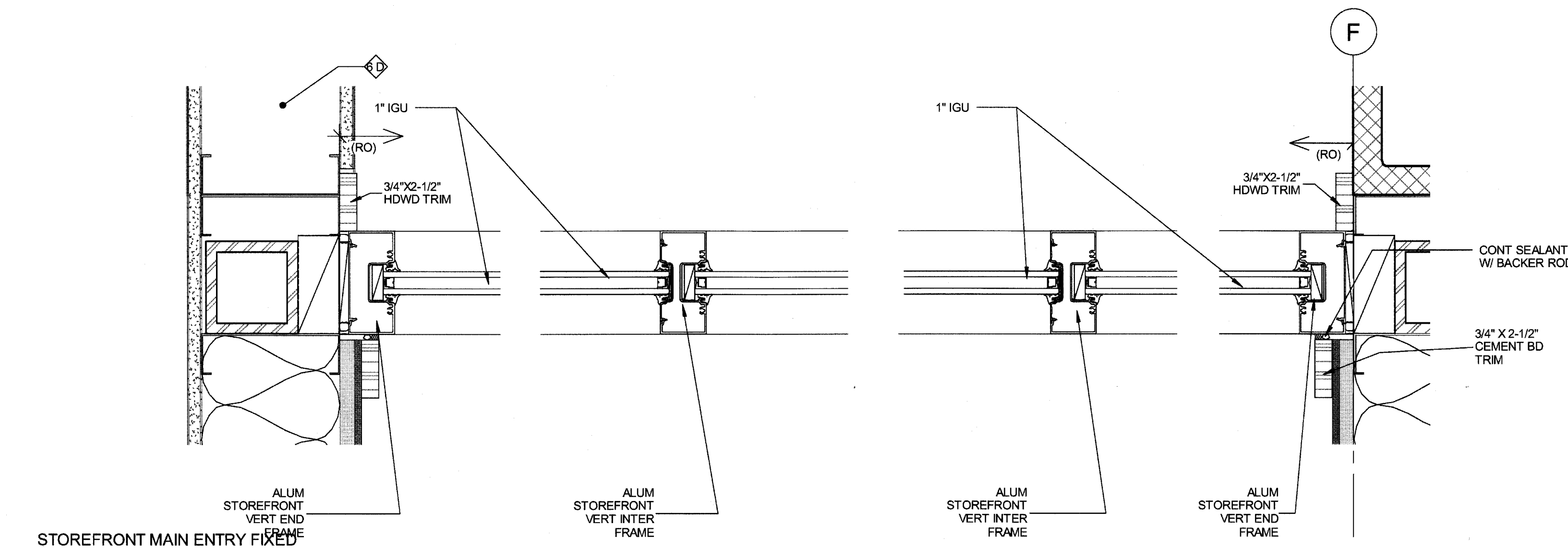
9 STOREFRONT MAIN ENTRY AWNING SILL
3" = 1'-0"

REVISION NO.	SYM.	DESCRIPTION	SHT./OF	DATE	APPROVED
STATE OF HAWAII DEPARTMENT OF LAND AND NATURAL RESOURCES ENGINEERING DIVISION					
MAUI OFFICE ANNEX WAILUKU, MAUI, HAWAII					
ALUMINUM FRAMED STOREFRONT DETAILS					
DESIGNED:			SUBMITTED: <i>GC</i>		
DRAWN:			DATE: 03/15/16		
CHECKED:			SCALE:		
APPROVED: <i>Cyly</i>			DRAWING NO. A5.02		
CHIEF ENGINEER			DATE: MAR 23 2016		

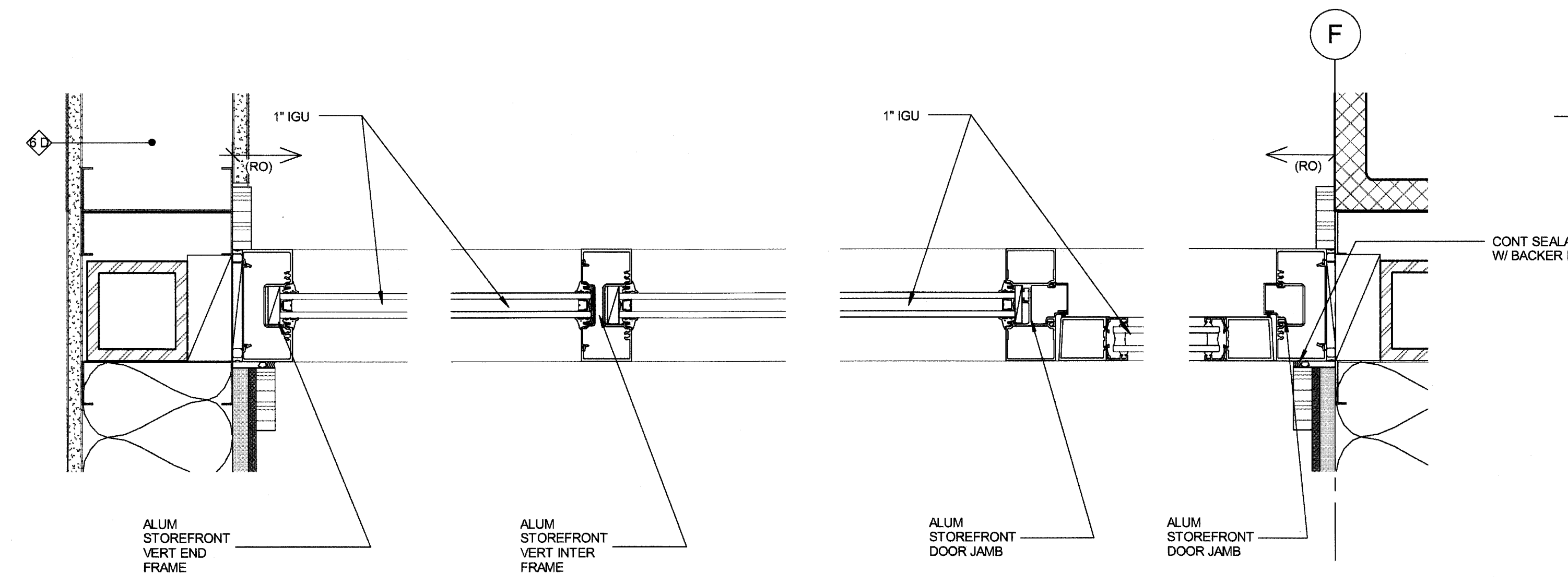


AP. DATE: April 30, 2016
Beau A. Suzuki

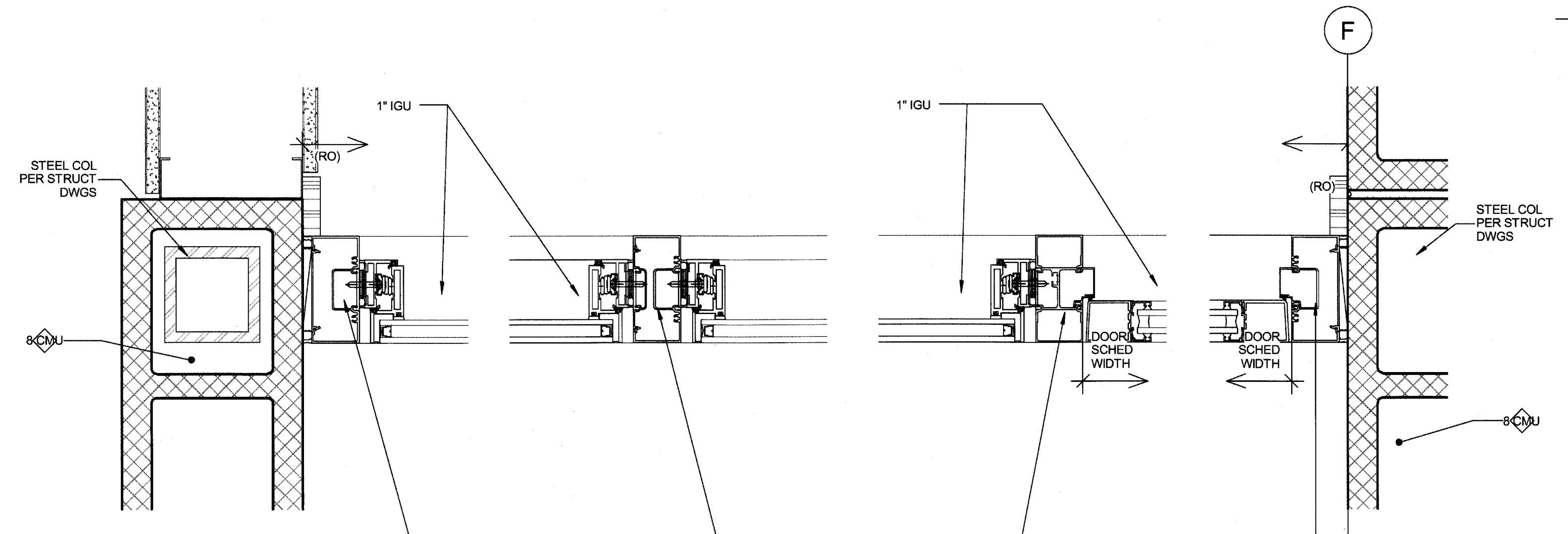
THIS WORK WAS PREPARED BY ME OR UNDER MY SUPERVISION AND CONSTRUCTION OF THIS PROJECT WILL BE UNDER MY OBSERVATION.



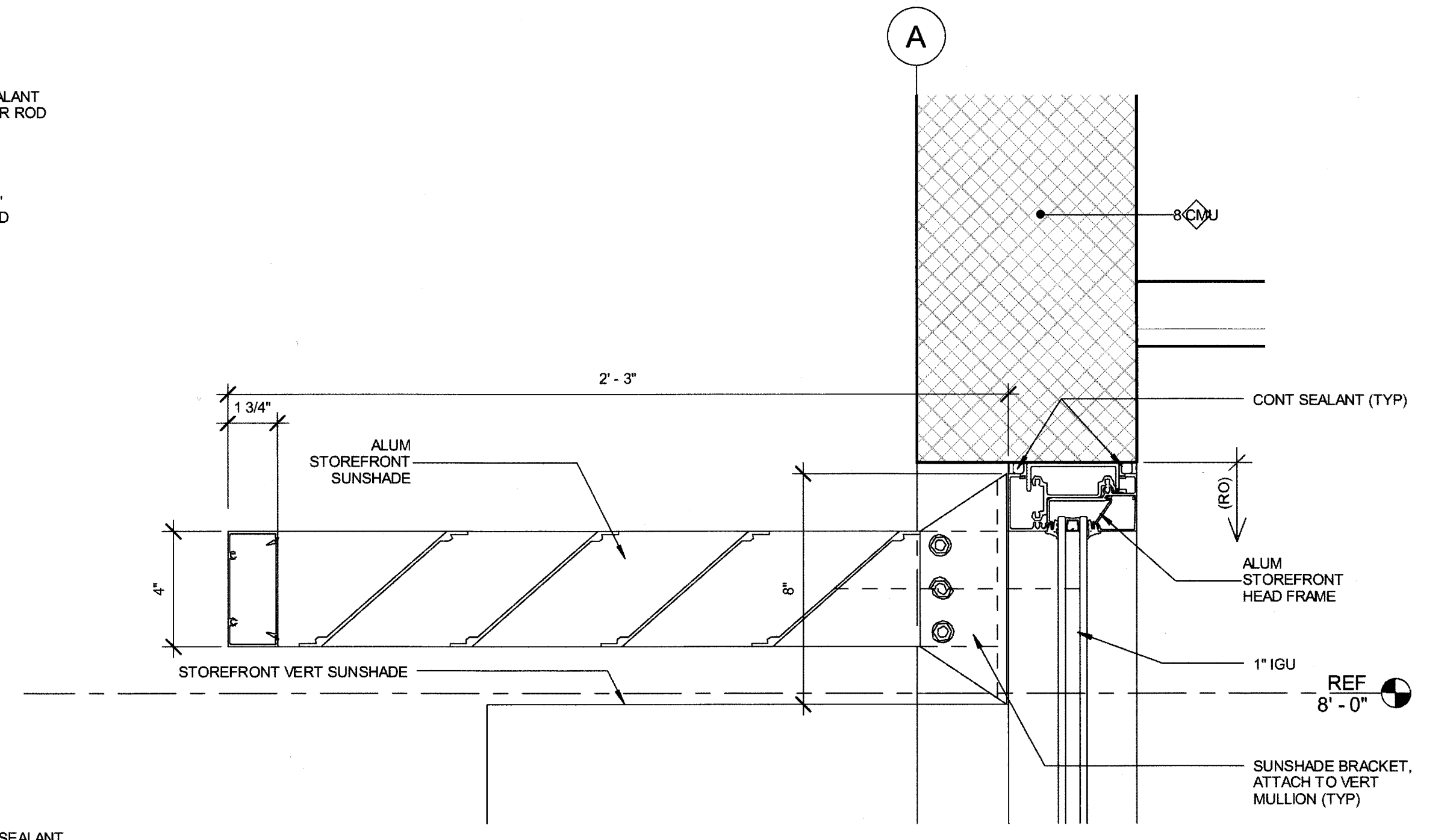
3 STOREFRONT MAIN ENTRY FIXED GLAZING JAMBS
3" = 1'-0"



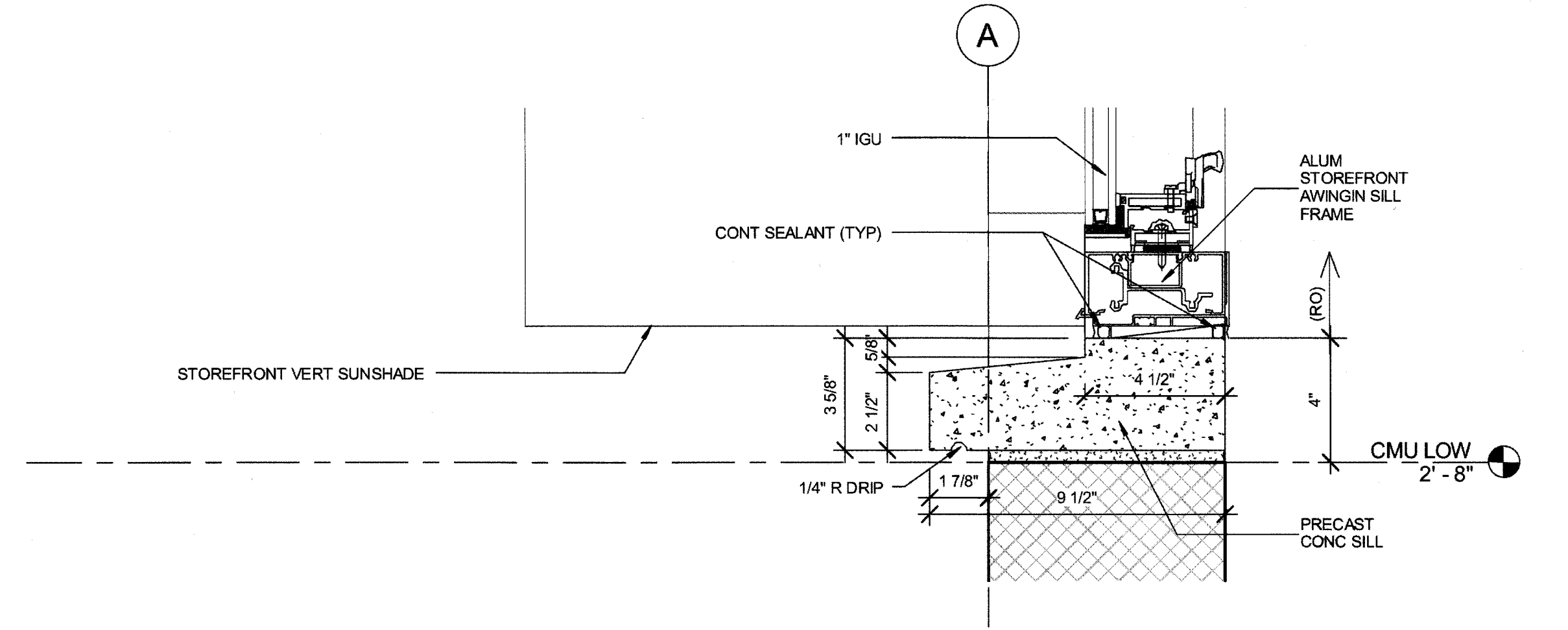
4 STOREFRONT MAIN ENTRY AWNING & DR JAMBS1
3" = 1'-0"



5 STOREFRONT MAIN ENTRY AWNING & DR JAMBS
3" = 1'-0"

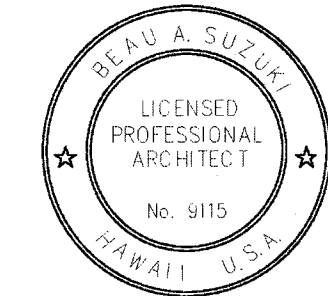


1 STOREFRONT AWNING CMU WALL HEAD
3" = 1'-0"



2 STOREFRONT AWNING CMU WALL SILL
3" = 1'-0"

REVISION NO.	SYM.	DESCRIPTION	SHT./OF	DATE	APPROVED
STATE OF HAWAII DEPARTMENT OF LAND AND NATURAL RESOURCES ENGINEERING DIVISION MAUI OFFICE ANNEX WAILUKU, MAUI, HAWAII ALUMINUM FRAMED STOREFRONT DETAILS					
DESIGNED:			SUBMITTED: <i>ca</i>		
DRAWN:			DATE: 03/15/16		
CHECKED:			SCALE:		
APPROVED: <i>Cyly</i>			DATE: MAR 23 2016		
CHIEF ENGINEER			DRAWING NO. A5.03		



EXP. DATE: April 30, 2016
 THIS WORK WAS PREPARED BY ME OR UNDER MY SUPERVISION AND CONSTRUCTION OF THIS PROJECT WILL BE UNDER MY OBSERVATION.

3/15/2016 9:46:52 AM